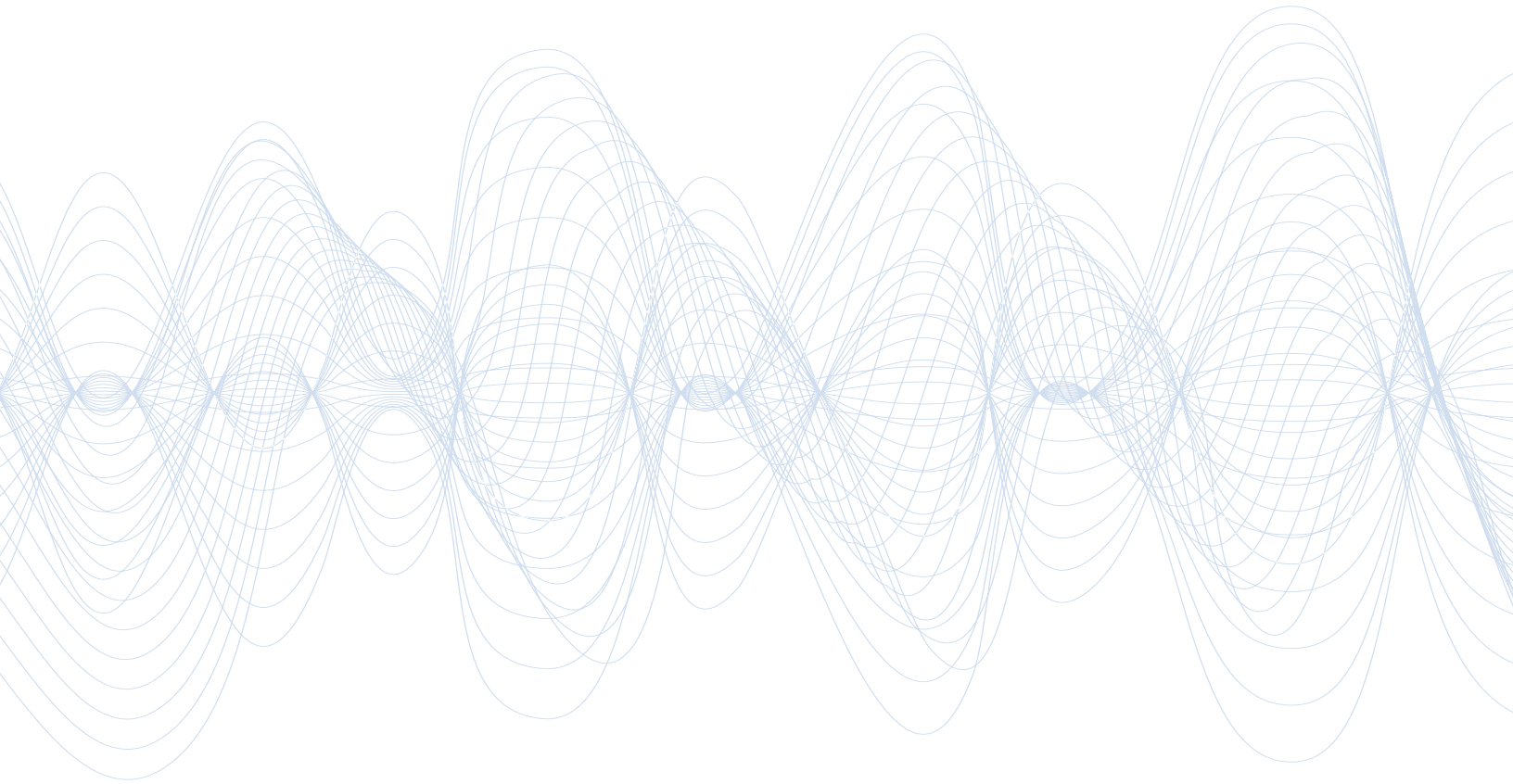


WAVEGUIDE



DowKey® Microwave
CORPORATION

A **DOVER** COMPANY



- WR 28 - WR 112
- 200K Cycles
- Reduced Weight
- Reduced Current Consumption

RF Characteristics

Frequency GHz	VSWR (max)	Isolation dB (min)	Ins. Loss dB (max)
WR 28 (26.5-40.0)	1.12	60	0.20
WR 34 (22.0-33.0)	1.12	60	0.15
WR 42 (18.0-26.5)	1.13	60	0.12
WR 62 (12.4-18.0)	1.10	60	0.10
WR 75 (10.0-15.0)	1.15	60	0.10
WR 90 (8.20-12.4)	1.15	60	0.10
WR 112 (7.05-10.0)	1.10	60	0.10

Specifications

Operating Voltage:

28 Vdc (24-30 Vdc)

Coil Current (max. @ nom. Vdc & 20°C)*:

28 Vdc 350 mA

Switching Time:

100 ms maximum (WR 28 thru WR 90)
200 ms maximum (WR 112)

Operating Temperature:

-54°C to +85°C

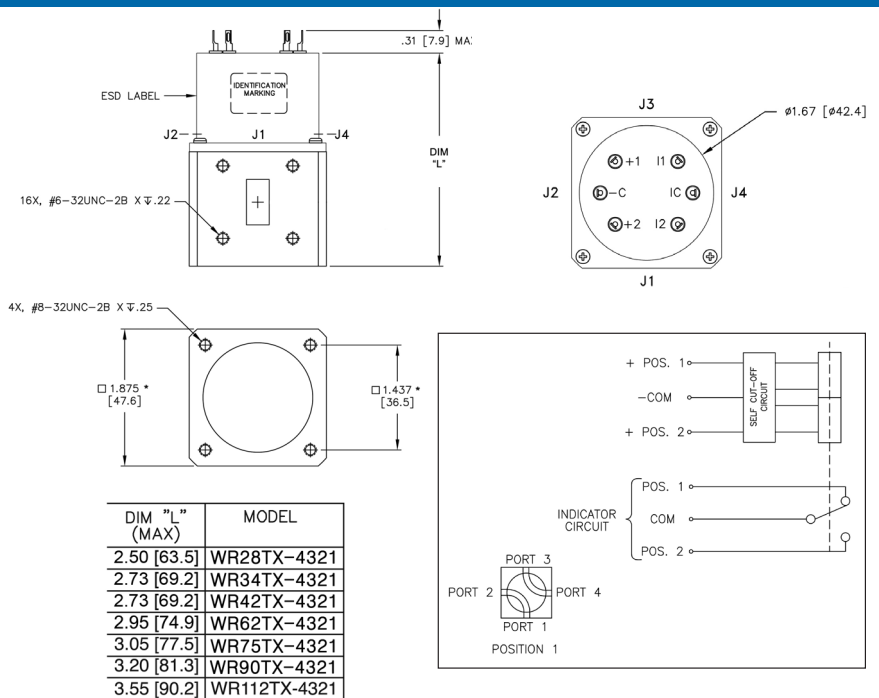
Mechanical Life Cycles:

200,000 minimum

Nominal Weight:

10.58 oz. (300 g.) for WR 28 thru WR 90
17.64 oz. (500 g.) for WR 112

Mechanical / Electrical Schematic



Dimensions are the same for WR 28 thru WR 90 but slightly larger for WR 112.

Part Number Selector

