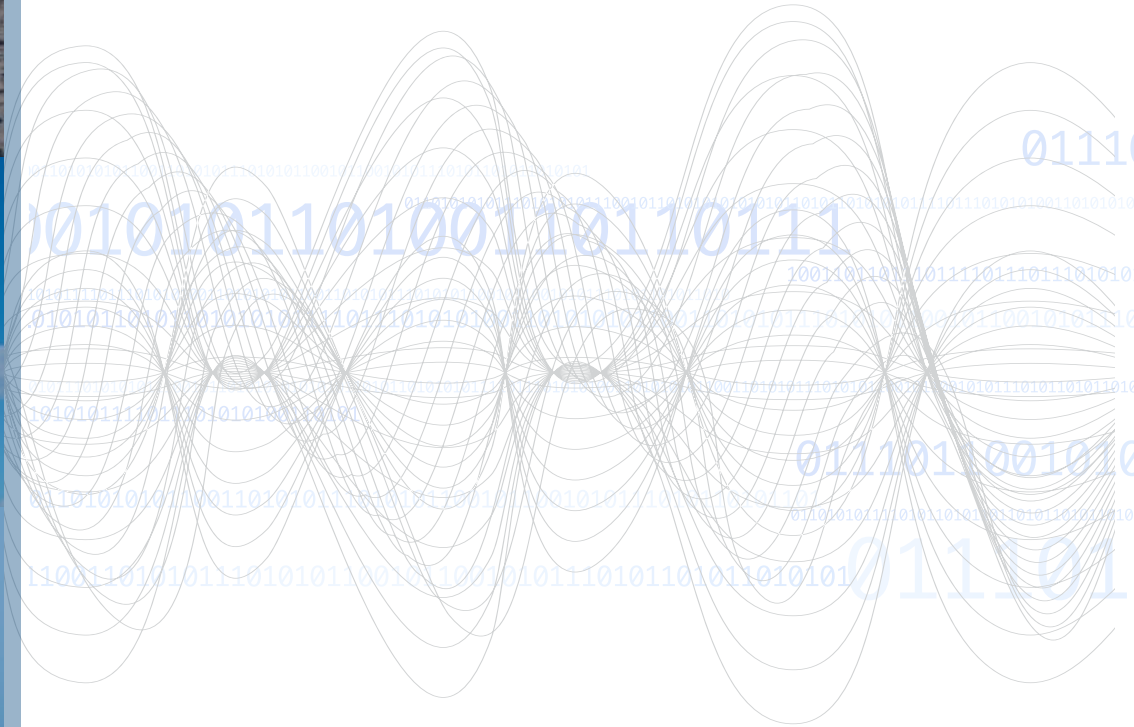


# SWITCH MATRIX CATALOG

# SWITCH SOLUTIONS

ELECTROMECHANICAL MATRIX  
SOLID STATE MATRIX  
FIBER OPTIC MATRIX  
FULLY INTEGRATED SYSTEMS



**OUR EXPERTISE, YOUR SWITCH SOLUTION  
SINCE 1945**



### Our Experience

As the world's largest manufacturer of electromechanical switches, Dow-Key Microwave Corporation is committed to providing unparalleled customer service, competitive pricing, on-time delivery, and products that are distinguished by quality and reliability. Founded in 1945, we are the oldest continuously operating switch manufacturer in the United States. Today, we are part of Ceramic & Microwave Products, a subsidiary of Dover Corporation. Dover is a multi-billion dollar, NYSE-traded, diversified manufacturer of a wide range of proprietary electronic components and systems.

### Quality Assurance

Dow-Key Microwave is a world-class manufacturer with an unparalleled reputation for product quality. Indeed, our space-qualified switches have contributed to the mission success of nearly 100 satellite and launch vehicle programs since 1972. Our commitment to continuous improvement of our products and processes, along with our extensive series of internal and external assessments, ensures compliance with the AS9100 and ISO-9001:2000 standards requirements.

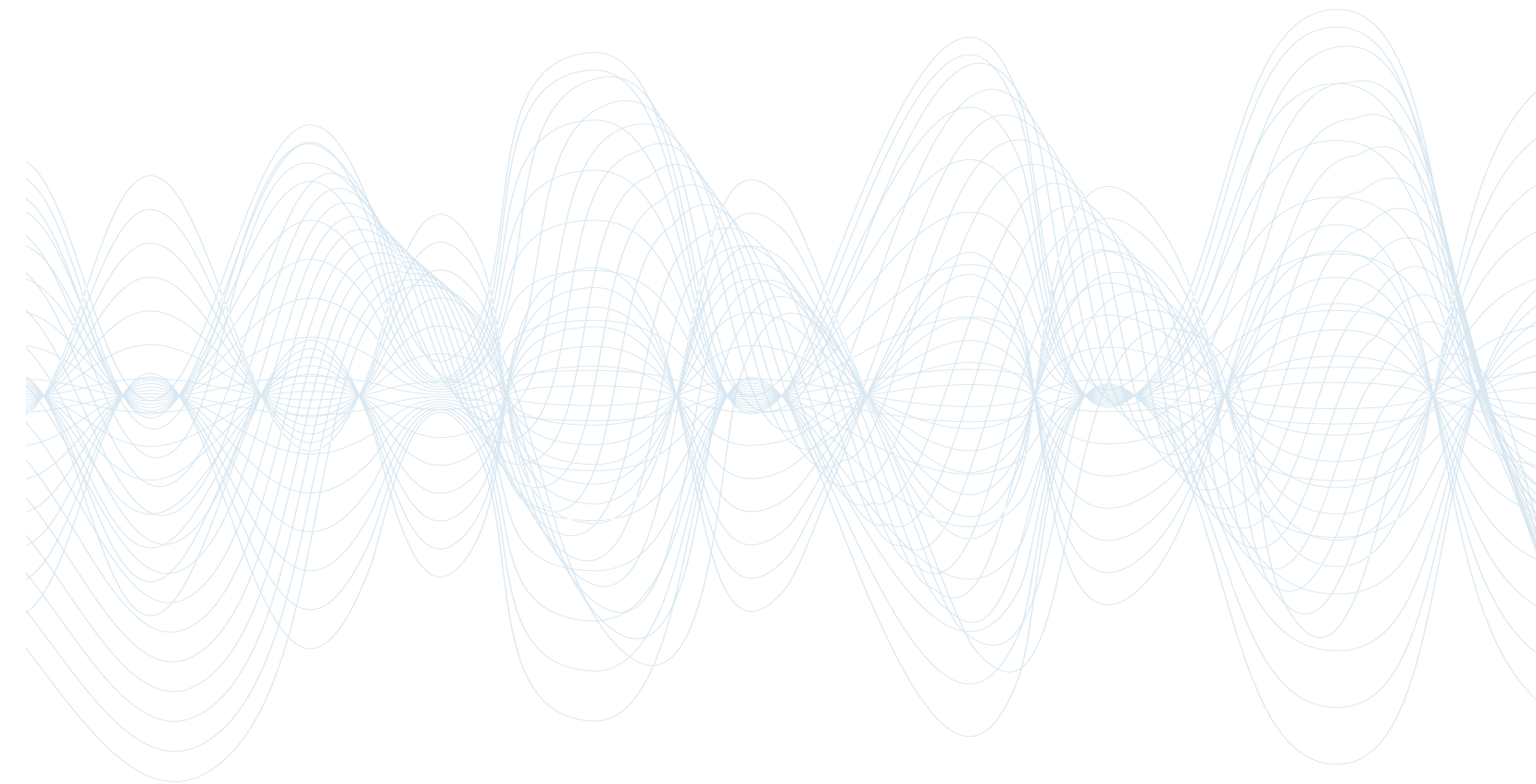
### Advanced Capabilities

Dow-Key Microwave's 36,000-square-foot, state-of-the-art manufacturing facility includes two Class 7 clean rooms in order to support our high-reliability space and military projects. To accomplish the engineering, manufacture, and test of our products and assemblies, we invest heavily in capital equipment. This advanced equipment includes a wide array of vector network analyzers and synthesized sources, noise figure measuring equipment, passive inter-modulation (PIM) test stands, thermal/vacuum chambers, RF power sources, and shock and vibration stations for environmental screening, to name just a few.

### Your Switch Solution

The best in the RF switch industry, Dow-Key Microwave's engineering team is dedicated to supporting customers through product selection, custom-designed solutions, and RF system integration. Whether your organization needs electromechanical switches, automated test equipment, or space-qualified switching arrays, our engineering team works with your specific requirements to create the optimum RF switching solution. Backed by decades of industry experience, our highly skilled technical staff is continuously improving the quality and variety of our product offering based upon customer needs as well as advances in technology. We offer customers the best value solution for their applications, on budget and on time. Since 1945, our experience is your switch solution.

# SWITCH MATRICES



Description	Page	
<b>Ordering Information</b>	<b>i</b>	
<b>Electromechanical Switch Matrices</b>	<b>1-1</b>	
MS-Series	Multiple Switches	1-2
MS-Controller	Build Your Own Solution	1-5
MS-Control Kit	Build Your Own Solution	1-7
MP-Series	Multiplexer	1-8
CB-Series	Crossbar	1-10
Model 4141	2x32 Crossbar	1-12
Model 4169	10x10 Phase Matched Crossbar	1-13
Model 4601	4x4 to 8x8 Fan-Out	1-14
Model 4701	9x9 to 12x12 Fan-Out	1-15
<b>Solid State Switch Matrices</b>	<b>2-1</b>	
Model 3202	L-band Fan-Out	2-2
Model 3203	VHF-band Fan-Out	2-3
Model 3204	IF-band Fan-Out	2-4
Model 3205	HF-band Fan-Out	2-5
<b>Fiber Optic Switch Matrices</b>	<b>3-1</b>	
7001	8x14 C-band Crossbar with partial Fan-Out	3-2
7002	14x15 C-band Crossbar with partial Fan-Out	3-3
<b>Switch System Capabilities - Integrated Systems</b>	<b>4-1</b>	
5096	16x32 expandable to 32x64 C-Band Fan-Out	4-2
5190/5191	12x48 Transmitter / 48x12 Receiver L-band	4-3
5230	4x48 /48x2 L-Band Fan-In/Fan-Out	4-4
<b>Appendix - RF Data &amp; Schematics</b>	<b>5-1</b>	
Appendix A	Determine Enclosure Height	5-2
Appendix B	MP-Series RF Data	5-3
Appendix C	Switch Schematics	5-4

At Dow-Key you are not limited to the products in this catalog, as it is intended to be used as a guide in selecting a switch product or switch matrix for a given application. Requests for modification of standard items and their specifications in order to meet specific needs are always welcome. Inquiries regarding custom integrated components or switch assemblies are also always appreciated.

The catalog is subject to change without notification at any time and new product information is constantly being added in the form of press releases through the corporate website at [www.dowkey.com](http://www.dowkey.com). Please visit our website to request quotes, download product materials, for listing of our manufacturer's representative and factory contact information.

### Ordering

The information found in this catalog or on [www.dowkey.com](http://www.dowkey.com) should be sufficient for you to select a particular Dow-Key product. In those cases where additional information is required, call Dow-Key directly or our local Dow-Key Sales Representative who will provide you with price and delivery information.

When placing your order, please include the part number, product name, quantity, and shipping instructions. In the case of a non-standard product, a full description of desired features must accompany your order to avoid any errors. Send orders to:

Dow-Key Microwave  
4822 McGrath Street  
Ventura, CA 93003 U.S.A.

Or send them in care of our Sales Representative in your area. A complete listing of our Representatives can be found at [www.dowkey.com](http://www.dowkey.com).

Orders will be accepted by way of U.S. mail, telephone, fax, or email. Confirmation of orders on your standard Purchase Order is required.

Telephone: 805.650.0260  
Fax: 805.650.1734  
Email: [askdk@dowkey.com](mailto:askdk@dowkey.com)

### Domestic Terms

Net 30 days, F.O.B. Dow-Key plant, Ventura, California, U.S.A. unless otherwise specified. Shipments made to firms are on a C.O.D. basis unless credit has been established or on receipt of advance payment. American Express, MasterCard and Visa are also accepted.

### Export Terms

Unless other terms have been agreed upon in advance, export terms are either payment in advance of shipment or against a confirmed irrevocable letter of credit. All prices are F.O.B. Ventura, California, U.S.A.

### Shipping

Orders within the United States and Canada will be shipped via United Parcel Service Ground unless other instructions are received. Shipment to all other countries will be by customer direction.

### Packaging

All products shipped from Dow-Key Microwave, Ventura, California are packaged in accordance with best commercial practices unless otherwise specified in the contract or purchase order.

### Delivery

Most standard products are available from within our typical manufacturing lead-time of 4 to 12 weeks after receipt of order.

### Source Inspection

Should Customer Source Inspection of product be required, a charge of \$300.00 per day per occurrence will apply.

### Application and Technical Assistance

Dow-Key provides a knowledgeable and experienced engineering staff to work closely with customers in product design and application development as well as minor modifications to existing standard products. This service is also available for the design of individual specialized switching components or complex switching systems.

### Warranty

Dow-Key Microwave Corporation warrants all switch products to be free of defects in material and workmanship for a period of one year after the date of initial shipment. The limit of liability under this warranty is to repair, replace or refund purchase price on any product or part thereof that is returned by the purchaser and proves to be defective after examination by Dow-Key. This warranty does not extend to any products mishandled, misused or subjected to abuse or neglect in storage, transportation or use. Repairs or alterations made without consent or knowledge of Dow-Key Microwave Corporation will invalidate this warranty. This warranty supercedes all others, either expressed or implied.

### Return Material Authorization

Please contact Dow-Key to receive a Return Material Authorization (RMA) number prior to returning any item for service. Items returned to Dow-Key without a RMA number are subject to return without evaluation or any work being done. Dow Key will not accept COD freight charges for returned items.

### Dow-Key Terms and Conditions

Dow-Key Microwave Corporation Terms and Conditions apply to all orders unless other provisions have been previously agreed upon. A copy of Dow-Key's Terms and Conditions can be found at [www.dowkey.com](http://www.dowkey.com).

### Certificate of Compliance

If requested at order placement, a certificate of compliance is available upon shipment.

### Minimum Order Amount

Dow-Key's minimum order amount is \$300.00.

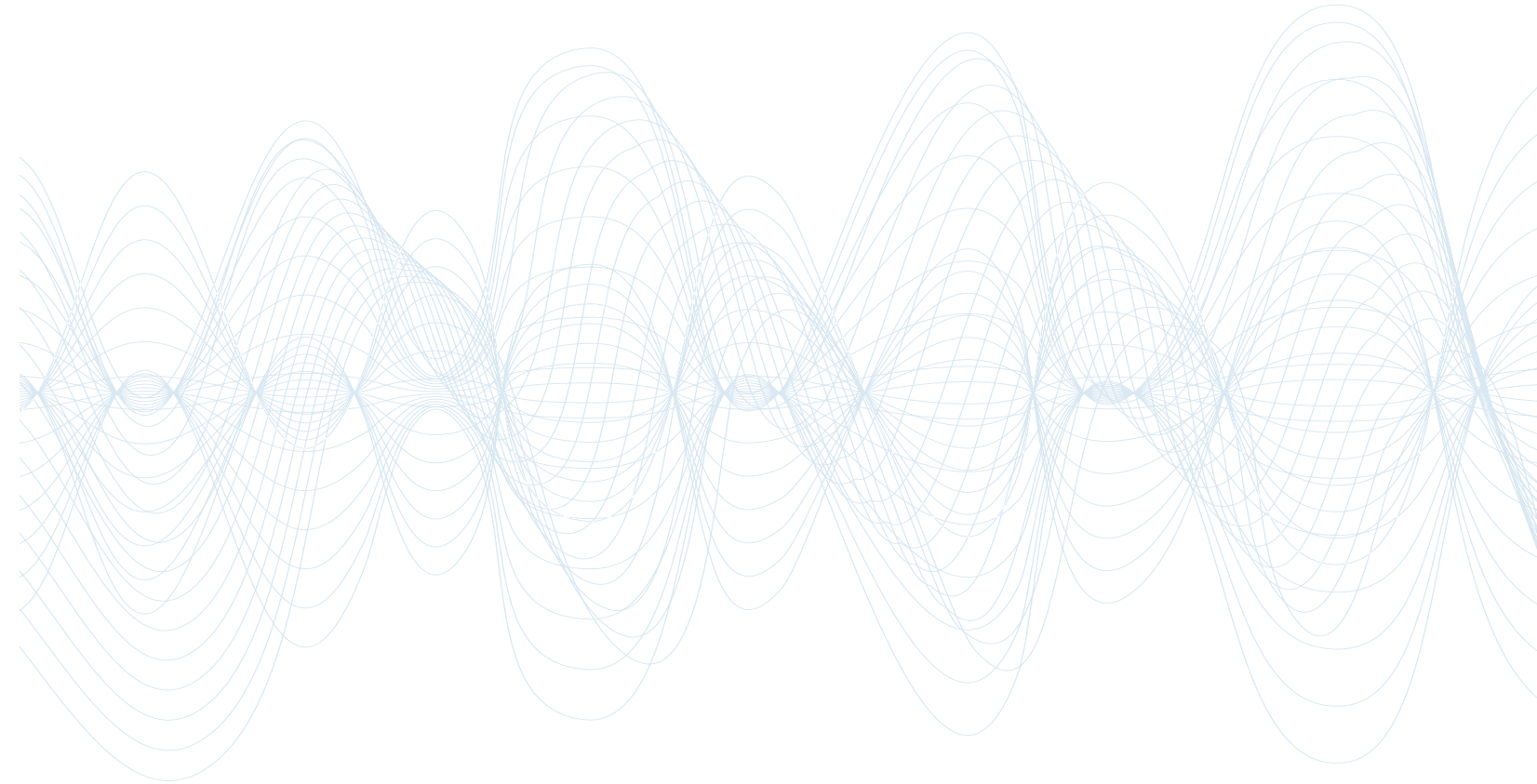
### Product Changes

Dow-Key Microwave Corporation continuously improves products as new technologies, materials and processes become available. We, therefore, reserve the right to alter, amend, discontinue, or replace any product and or specifications in this catalog at our sole discretion without prior notice.

For our other product lines, see separate Product Catalog and Space Product Brochure for more details.



# ELECTROMECHANICAL SWITCH MATRICES





1RU Model



2RU Model

**Features**

<b>Configuration</b>	Multiple Switches (bidirectional): SPDT <sup>(3)</sup> , DPDT, SP3T, SP4T SP6T, SP8T, SP10T, SP12T
<b>Operating Frequency</b>	DC-18 GHz, DC-26.5 GHz or DC-40 GHz
<b>Manual Control</b>	LCD with Keypad (1RU) Touch Screen LCD (2RU-4RU)
<b>Remote Control</b>	<b>ENET:</b> Ethernet, Built-In Website, RS-232 and USB port. <b>GPIB:</b> IEEE-488, RS-232 and USB port.
<b>Impedance</b>	50-Ohm

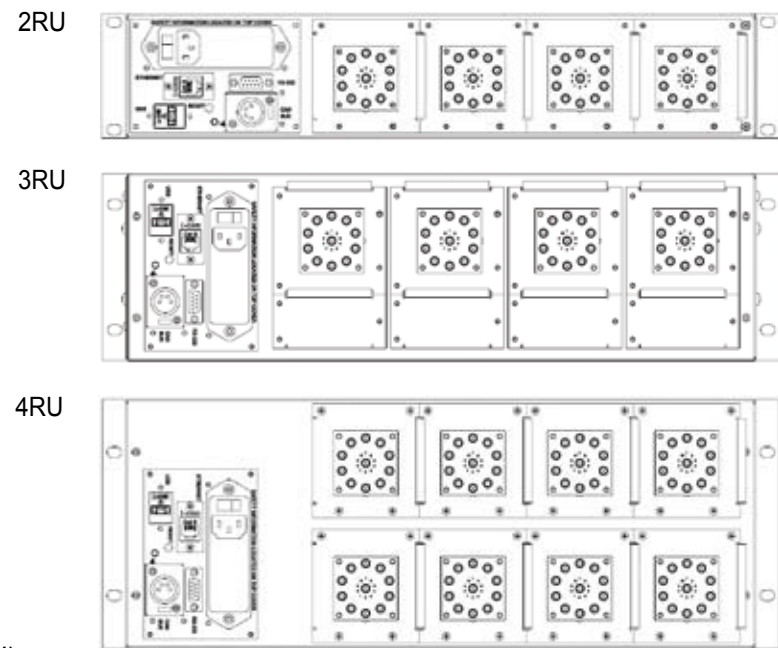
**Application**

The MS-series is a switch solution populated with individual switches to allow the user to control multiple coaxial switches easily through software.

It gives the user the flexibility to add as many switches as needed (limited to the size of the enclosure) on the rear panel or inside the box starting with a 19" 1RU chassis up to 4RU (and larger enclosures for custom designs).

- Switches can be mixed & matched
- Terminated and non-terminated switches
- Normally Open & Latching switches
- Built-in firmware to add, remove and address switches for trouble free switch replacement
- Application configuration available through "configuration file" - transferred via HTTP, USB or COM ports.
- Keeps track of the life of each switch
- Field upgradable firmware via boot loader <sup>(1)</sup>

**Rear View with SP10T Switches**



<sup>(1)</sup> Check Availability

**Specifications**

<b>Relay Type</b>	Coaxial
<b>I/O Connector Type</b>	SMA Female or N Female
<b>Switching Time</b>	50 ms (incl. control delay)
<b>Operating Life (min)</b>	1,000,000 (cold)
<b>MTBF</b>	30,000-50,000 Hours
<b>Operating Temperature</b>	0 °C to +50 °C
<b>Storage Temperature</b>	-20 °C to +70 °C
<b>Operating Humidity</b>	10-80% non-condensing
<b>Dimensions (max)</b>	19" Wide rack mount 15.25" (1U-2U) & 18.5" (3U-4U) Depth (w/o handles) 1U to 4U Height (1.75" to 7.00")
<b>Weight</b>	Varies per part number

<b>Manual Control</b>	LCD/Keypad or Touch Screen LCD
<b>Remote Control Ethernet or GPIB Option</b>	
<b>ENET Option</b>	Ethernet (TCP/IP), 10/100 BASE-T, built-in website, manual or DHCP IP address assignment
<b>RS-232</b>	DB9 (f), Baud Rate 1200 -115200 bps
<b>USB Port</b>	Operates as a virtual RS-232
<b>GPIB Option</b>	GPIB (IEEE-488), RS-232 and USB
<b>Commands/Syntax</b>	Dow-Key SCPI commands
<b>Fuse</b>	Accessible/replaceable on the rear
<b>AC Power Supply</b>	110-240 VAC, 50-60 Hz
<b>Cooling / Venting</b>	Fans as required with 2U-4U models

**RF Specifications**

(P/N 411L-420832N)

DC-18 GHz, Latching, Non-Terminated		SPDT <sup>(3)</sup> / DPDT Switch		
Frequency [GHz]	VSWR Max.	Isolation Min. [dB]	Insertion Loss Max. [dB]	CW Power Max. [W]
DC-1	1.10	85	0.10	200
1-4	1.20	80	0.20	100
4-8	1.30	70	0.30	50
8-12	1.40	65	0.40	35
12-18	1.50	60	0.50	25

<sup>(3)</sup> ADD A TERMINATION TO ONE PORT OF THE DPDT SWITCH TO GET A SPDT SWITCH

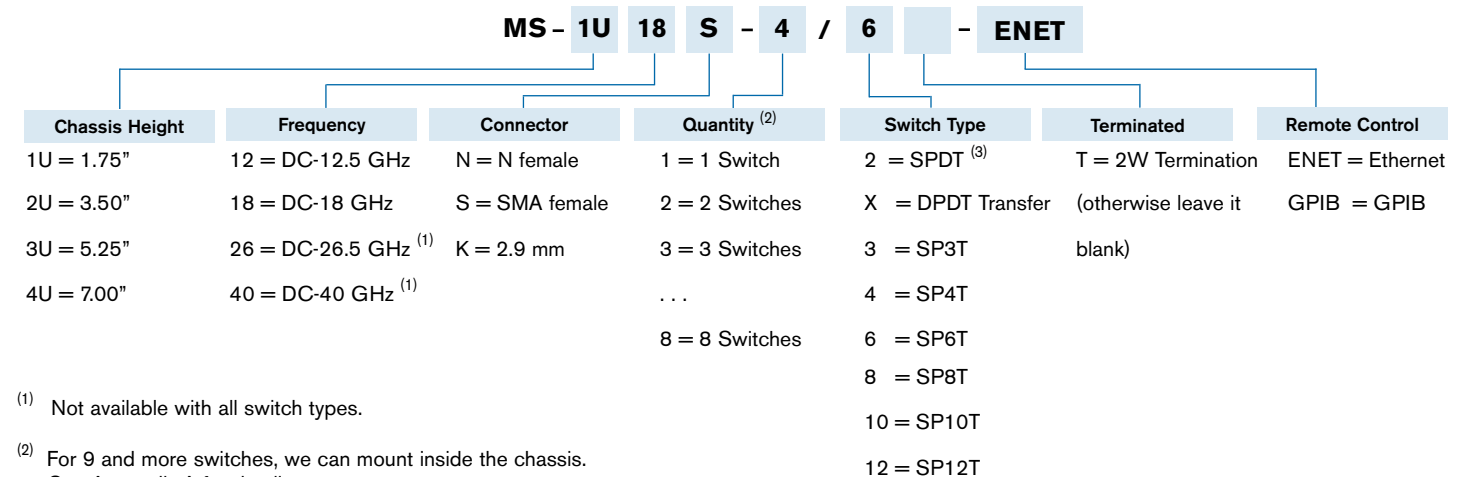
(P/N 5x5-5208-3)

DC-18 GHz, Normally Open, Non-Terminated		SP3T - SP6T Switch		
Frequency [GHz]	VSWR Max.	Isolation Min. [dB]	Insertion Loss Max. [dB]	CW Power Max. [W]
DC-3	1.2	80	0.20	125
3-8	1.3	70	0.30	90
8-12.4	1.4	60	0.40	75
12.4-18	1.5	60	0.50	60

(P/N 4x1KL-420822N, 4x1KL-420823N)

DC-26.5 GHz, Latching, Non-Terminated/Terminated		SP3T - SP6T Switch		
Frequency [GHz]	VSWR Max.	Isolation Min. [dB]	Insertion Loss Max. [dB]	CW Power Max. [W]
DC-4	1.2	80	0.20	100
4-8	1.3	75	0.30	50
8-12.4	1.4	70	0.40	35
12.4-18	1.5	60	0.50	25
18-26.5	1.8	50	0.80	10

**Part Number Selector**



<sup>(1)</sup> Not available with all switch types.

<sup>(2)</sup> For 9 and more switches, we can mount inside the chassis. See Appendix A for details.

RF Specifications (cont.)

(P/N 581-520802N)

DC-18 GHz, Normally Open, Non-Terminated				SP8T Switch
Frequency [GHz]	VSWR Max.	Isolation Min. [dB]	Insertion Loss Max. [dB]	CW Power Max. [W]
DC-4	1.25	70	0.20	100
4-8	1.35	65	0.30	70
8-12.4	1.40	60	0.40	60
12.4-16	1.50	60	0.60	50
16-18	1.80	55	0.80	45

(P/N 581-420853N, 581K-420853N)

DC-18 GHz, DC-26.5 GHz, Latching, Terminated				SP8T Switch
Frequency [GHz]	VSWR Max.	Isolation Min. [dB]	Insertion Loss Max. [dB]	CW Power Max. [W]
DC-4	1.20	80	0.20	100
4-8	1.30	75	0.30	90
8-12.4	1.40	70	0.40	75
12.4-18	1.50	60	0.50	60
18-26.5	1.80	55	0.80	45

(P/N 5A1-520802N)

DC-18 GHz, Normally Open, Non-Terminated				SP10T Switch
Frequency [GHz]	VSWR Max.	Isolation Min. [dB]	Insertion Loss Max. [dB]	CW Power Max. [W]
DC-4	1.20	70	0.20	100
4-8	1.30	65	0.30	70
8-12.4	1.40	60	0.40	60
12.4-18	1.60	55	0.60	50

(P/N 5C1-520802N, 5C1-420853N)

DC-18 GHz, Normally Open Non-Term. / Latching Term.				SP12T Switch
Frequency [GHz]	VSWR Max.	Isolation Min. [dB]	Insertion Loss Max. [dB]	CW Power Max. [W]
DC-4	1.20	70	0.20	100
4-8	1.40	65	0.40	50
8-12.4	1.50	60	0.60	35
12.4-18	1.80	60	0.80	25

SEE APPENDIX C FOR SWITCH SCHEMATICS

FOR SWITCHES MOUNTED INSIDE A CHASSIS,  
CONTACT DOW-KEY MICROWAVE FOR RF SPECIFICATIONS.

We reserve the right to alter, amend or replace any specifications at our sole discretion and without prior notice.



Front View



Rear View with Ethernet Control Interface

Features

<b>Controller</b>	Allows the user to control Dow-Key RF switches
<b>Configuration</b>	Supports 24 CAN bus switches via RJ11 connectors
<b>Power Supply</b>	110-240 VAC, 100W max.
<b>Manual Control</b>	LCD with Keypad
<b>Remote Controls</b>	<b>ENET:</b> Ethernet, Built-In Website, RS-232 and USB port. <b>GPIB:</b> IEEE-488, RS-232 and USB port.
<b>Expansion</b>	<ul style="list-style-type: none"> <li>Supports &gt; 24 switches</li> <li>2nd power supply</li> </ul>

Application

The MS-6101 controller offers an ideal switch setup allowing anyone to build their own matrix solution by plugging-in Dow-Key CAN bus controlled switches onto the rear panel. The controller converts CAN interface to either Ethernet or GPIB interface.

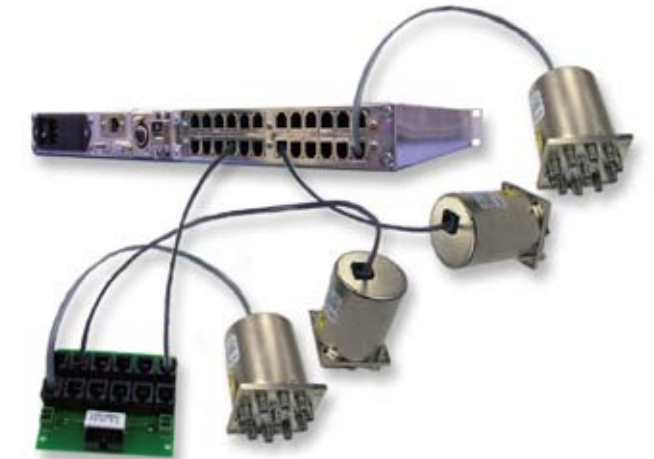
The 1RU controller is outfitted with 24 RJ11 ports on the back to support 24 CAN bus switches and can be expanded to support additional switches as needed by adding patch panels.

CAN bus switches, RJ11-X cables, RJ11 patch panel (for expansion) and secondary power supply are purchased separately.

**Input power:** The input AC power supply will down convert and distribute DC voltage to all the switches and sub-component (including the patch panel if needed).

What You Need

1. One MS-6101 controller
2. Select any CAN bus controlled switches per Table 1.
3. Get RJ11-6 cable for each switch to plug-in to the controller
4. If more than 24 switches are need, add RJ11 patch panel board for each additional 11 switches and use RJ11-4 cables. Also, check with Dow-Key if secondary power supply is needed.



MS-6101 Specifications

<b>I/O Connector Type</b>	24x RJ11-6
<b>RoHS Compliant</b>	Yes
<b>EMI Shielded Ports</b>	RJ45, USB, RS-232, GPIB, RJ11-6, CAN bus
<b>MTBF</b>	30,000-50,000 Hours
<b>Operating Temperature</b>	0 °C to +50 °C
<b>Storage Temperature</b>	-20 °C to +70 °C
<b>Operating Humidity</b>	10-80% non-condensing
<b>Dimensions (max)</b>	19" Wide rack mount 15.25" Depth 1U Height (1.75")
<b>Weight (approx)</b>	10 lbs

<b>Manual Control</b>	LCD with Keypad
<b>Remote Control Ethernet or GPIB Option</b>	
<b>MS-6101-ENET</b>	Ethernet (TCP/IP), 100/100 BASE-T, HTTP (built-in website,) manual or DHCP IP address assignment
<b>RS-232</b>	DB9 (f), Baud Rate 1200 -115200 bps
<b>USB Port</b>	Operates as a virtual RS-232
<b>MS-6101-GPIB</b>	GPIB (IEEE-488), RS-232 and USB
<b>Commands/Syntax</b>	Dow-Key SCPI commands
<b>Switching Time</b>	50 ms (including control delay)
<b>AC Power Supply</b>	110-240 VAC, 50-60 Hz
<b>Fuse</b>	Accessible/replaceable on the rear

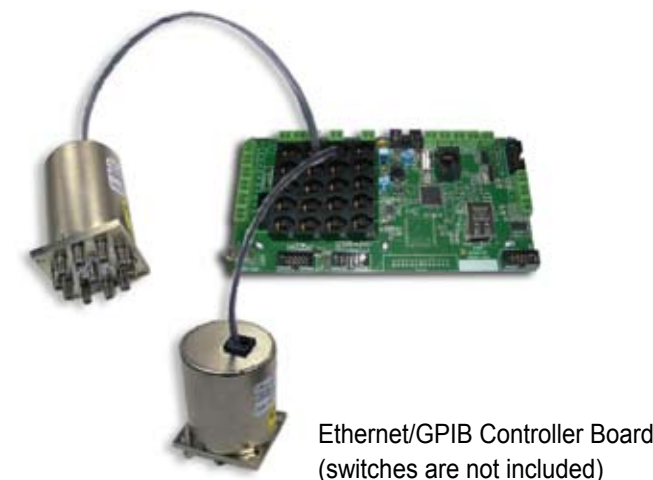
TABLE 1

LIST OF CAN BUS SWITCHES					
SWITCH TYPE	PART NUMBER	FREQUENCY	ACTUATOR	RF CONNECTOR	TERMINATED
SPDT <sup>(3)</sup> / DPDT	411C-420832N	DC-18 GHz	LATCHING	SMA	NO
SPDT <sup>(3)</sup> / DPDT	411CY-421132N	DC-40 GHz	LATCHING	2.9 mm (K)	NO
SP3T	535-5208-3	DC-18 GHz	NORMALLY OPEN	SMA	NO
SP3T	431KL-420822N	DC-26.5 GHz	LATCHING	SMA	NO
SP3T	431KL-420823N	DC-26.5 GHz	LATCHING	SMA	YES
SP4T	545-5208-3	DC-18 GHz	NORMALLY OPEN	SMA	NO
SP4T	441KL-420822N	DC-26.5 GHz	LATCHING	SMA	NO
SP4T	441KL-420823N	DC-26.5 GHz	LATCHING	SMA	YES
SP6T	565-5208-3	DC-18 GHz	NORMALLY OPEN	SMA	NO
SP6T	461KL-420822N	DC-26.5 GHz	LATCHING	SMA	NO
SP6T	461KL-420823N	DC-26.5 GHz	LATCHING	SMA	YES
SP8T	581-520802N	DC-18 GHz	NORMALLY OPEN	SMA	NO
SP8T	581K-520802N	DC-26.5 GHz	NORMALLY OPEN	SMA	NO
SP8T	581K-420853N	DC-26.5 GHz	LATCHING	SMA	YES
SP10T	5A1-520802N	DC-18 GHz	NORMALLY OPEN	SMA	NO
SP12T	5C1-520802N	DC-18 GHz	NORMALLY OPEN	SMA	NO
SP12T	5C1-420853N	DC-18 GHz	LATCHING	SMA	YES

<sup>(3)</sup> ADD A TERMINATION TO ONE PORT OF THE DPDT SWITCH TO GET A SPDT SWITCH

ALL CANBUS SWITCHES USE 12 VDC COILS. IF SWITCH USED WITH MS-6101 CONTROLLER, THE POWER SUPPLY WILL DOWN CONVERT VAC TO 12 VDC.

We reserve the right to alter, amend or replace any specifications at our sole discretion and without prior notice.



Ethernet/GPIB Controller Board (switches are not included)

**Features**

<b>MS-ENET</b>	Kit provides software controls via Ethernet, Web-interface, RS-232 and USB port. It includes PCB board and RJ11-4 cables.
<b>MS-GPIB</b>	Kit provides software controls via GPIB (IEEE-488), RS-232 and USB port. It includes PCB board and RJ11-4 cables.
<b>Kit Components Include:</b>	<ul style="list-style-type: none"> <li>1 PCB board for controlling 20 Dow-Key CAN bus switches</li> <li>12x RJ11-4 cables</li> </ul>
<b>Expansion</b>	Support >20 switches

**Application / What you Need**

The MS-ENET and MS-GPIB kits are low budget solutions for users who are comfortable to assemble components on their own to build a RF switch solution.

Depending of the type of control, there are two kits available. Either kit consists of an Ethernet/GPIB control board and 12x RJ11-6 cables (to be used with CAN bus switches), where some assembly is required.

RF switches are not included and are purchased separately. Refer to the MS-6101 Controller page for a list of available Dow-Key CAN bus switches (Table 1).

**MS-ENET:** This kit allows the user to control switches via Ethernet (TCP/IP with manual or DHCP IP address assignment), RS-232, USB and HTTP (built-in website).

**MS-GPIB:** This kit offers the user GPIB (IEEE-488), RS-232 and USB controls.

MS-Control kits are offered with Dow-Key SCPI commands that gives the user the flexibility to control the switches either directly via GPIB or TCP/IP protocols. These commands can also easily be embedded into customer designed software programs as a "string".

**Application:**

Best used for ATE, test-bench and system integrated applications.

**What You Need:**

1. Select either MS-ENET or MS-GPIB kit
2. Choose any CAN bus controlled switches per Table 1
3. Purchase additional RJ11-6 cable if 13 or more switches are needed.
4. If more than 20 switches are required, purchase RJ11 patch panel board along with RJ11-4 cables. The board support 11 additional switches and can be cascaded to support up to 256 switches.

**CAN Bus Switch Specifications**

<b>Relay Type</b>	Coaxial
<b>Impedance</b>	50-Ohm
<b>I/O Connector Type</b>	SMA Female or 2.9 mm Female
<b>Operating Frequency</b>	DC-18 GHz, DC-26.5 GHz or DC-40 GHz
<b>Operating Life (min)</b>	1,000,000 (cold)
<b>Control Interface</b>	CAN Bus control
<b>Coil Voltage</b>	12 Vdc
<b>Program &amp; Control</b>	Through the MS-6101 controller you can add/remove and assign unique CAN ID address to the switch, and track the life of each switch.

**List of Part Numbers**

<b>Controller</b>	
<b>MS-6101-ENET</b>	Ethernet with LCD/Keypad
<b>MS-6101-GPIB</b>	GPIB with LCD/Keypad
<b>RF Switches</b>	
See Table 1 for part numbers	
<b>Additional Components</b>	
<b>41099-072-X</b>	RJ11-6 cable of X inches length
<b>41099-069-X</b>	RJ11-4 cable of X inches length
<b>41054-028</b>	RJ11 Patch panel board
<b>40090-003</b>	2W, 50-Ohm, Termination

**Specifications / Part Numbers**

<b>General</b>	
<b>ENET/GPIB Control Board Dimensions:</b>	3.0" W x 7.0" L
<b>I/O Connector Type</b>	20x RJ11-4
<b>MTBF</b>	30,000-50,000 Hours
<b>Control Board Power</b>	+12 Vdc
<b>Current Draw (max)</b>	300 mA (excl. switches)
<b>Operating Temperature</b>	0 °C to +50 °C
<b>Storage Temperature</b>	-20 °C to +70 °C
<b>Operating Humidity</b>	10-80% non-condensing
<b>Software</b>	
<b>Commands/Syntax</b>	Dow-Key SCPI commands
<b>Switching Time</b>	50 ms (incl. control delay)

<b>Ethernet Kit (Part Number MS-ENET)</b>	
<b>RJ-45 port</b>	Ethernet (TCP/IP), 10/100 BASE-T, HTTP, manual/DHCP IP assignment
<b>RS-232 Port</b>	DB9 (F), Baud Rate 1200 -115200 bps
<b>USB Port</b>	Operates as a virtual RS-232
<b>41099-069-36</b>	12x 3 FT RJ11-4 cables (unassembled)
<b>GPIB Kit (Part Number MS-GPIB)</b>	
<b>GPIB Port</b>	IEEE-488, 24-pin female (centronics)
<b>USB Port</b>	Operates as a virtual RS-232
<b>41099-069-36</b>	12x 3 FT RJ11-4 cables (unassembled)
<b>Additional Part Numbers</b>	
<b>41099-069-X</b>	RJ11-4 cable of X inches length
<b>41054-028</b>	RJ11 Patch Panel



3RU Model

**Features**

<b>Switch Configuration</b>	1xN bidirectional Terminated & Non-Terminated Maximum 1x143
<b>Operating Frequency</b>	DC-18 GHz or DC-26.5 GHz
<b>Manual Control</b>	LCD with Keypad (1RU) Touch Screen LCD (2RU-4RU)
<b>Remote Control</b>	<b>ENET:</b> Ethernet, Built-In Website, RS-232 and USB port. <b>GPIB:</b> IEEE-488, RS-232 and USB port.
<b>Impedance</b>	50-Ohm

**Application**

MP-series is a multiplexer with the capability to switch one input to as many as 143 outputs. The input/output ports are bidirectional.

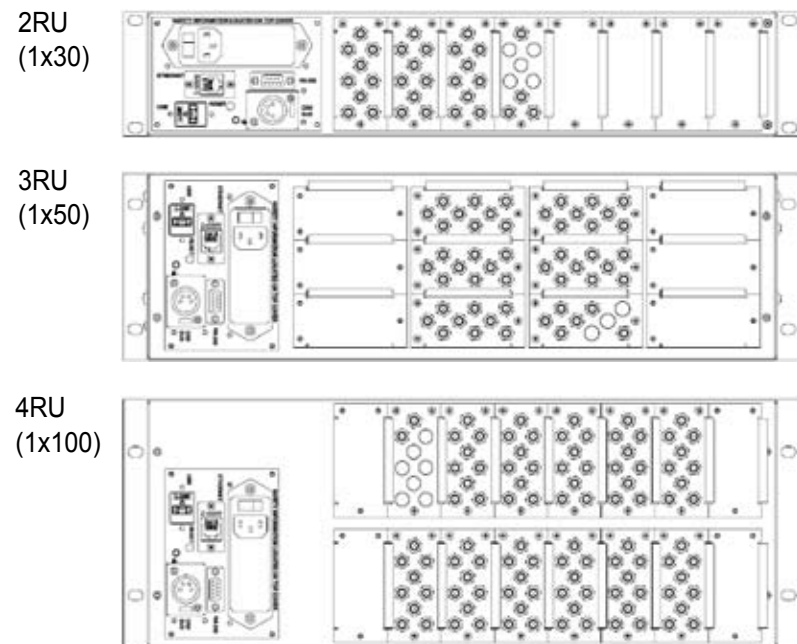
Design starts from 1x13 to 1x143 (1RU-4RU enclosure) and can be customized to support a larger configuration. It is available with maximum frequency at 18 GHz or 26.5 GHz, both terminated and non-terminated options along with SMA or N-type connectors.

**Software Features:**

- Built-in firmware to add, remove and address switches for trouble free switch replacement
- Application configuration available through "configuration file" - transferred via HTTP, USB or COM ports.
- Keeps track of the life of each switch
- Field upgradable firmware via boot loader (1)

(1) Check Availability

**Rear View Samples (2)**



(2) The exact port locations may be different

**Specifications**

<b>Relay Type</b>	Coaxial
<b>I/O Connector Type</b>	SMA Female or N Female
<b>Switching Time</b>	50 ms (incl. control delay)
<b>Operating Life (min)</b>	1,000,000 (cold)
<b>MTBF</b>	30,000-50,000 Hours
<b>Operating Temperature</b>	0 °C to +50 °C
<b>Storage Temperature</b>	-20 °C to +70 °C
<b>Operating Humidity</b>	10-80% non-condensing
<b>Dimensions (max)</b>	19" Wide rack mount 15.25" (1U-2U) & 18.5" (3U-4U) Depth (w/o handles) 1U to 4U Height (1.75" to 7.00")
<b>Weight</b>	Varies per part number

<b>Manual Control</b>	LCD/Keypad or Touch Screen LCD
<b>Remote Control Ethernet or GPIB Option</b>	
<b>ENET Option</b>	Ethernet (TCP/IP), 10/100 BASE-T, built-in website, manual or DHCP IP address assignment
<b>RS-232</b>	DB9-F, Baud Rate 1200 -115200 bps
<b>USB Port</b>	Operates as a virtual RS-232
<b>GPIB Option</b>	GPIB (IEEE-488), RS-232 and USB
<b>Commands/Syntax</b>	Dow-Key SCPI commands
<b>Fuse</b>	Accessible/replaceable on the rear
<b>AC Power Supply</b>	110-240 VAC, 50-60 Hz
<b>Cooling / Venting</b>	Fans as required with 2U-4U models

**RF Specifications**

THE RF PERFORMANCE FOR ≤1x70 IS SLIGHTLY BETTER.

SP10T AND/OR SP12T SWITCHES MOUNTED ON THE REAR

DC-18 GHz, Non-Terminated, SMA				1x13 to 1x84
Frequency [GHz]	VSWR Max.	Isolation Min. [dB]	Insertion Loss Max. [dB]	CW Power Max. [W]
DC-8	1.4	80	1.0	90
8-12	1.7	80	1.5	60
12-16	1.9	80	2.0	45
16-18	2.4	80	3.0	35

THE RF PERFORMANCE FOR ≤1x100 IS SLIGHTLY BETTER.

SP10T AND/OR SP12T SWITCHES MOUNTED INSIDE THE ENCLOSURE

DC-18 GHz, Non-Terminated, SMA				1X85 to 1X120
Frequency [GHz]	VSWR Max.	Isolation Min. [dB]	Insertion Loss Max. [dB]	CW Power Max. [W]
DC-4	1.4	80	2.5	90
4-8	1.7	80	4.0	60
8-12	1.9	80	5.0	45
12-18	2.4	80	6.5	35

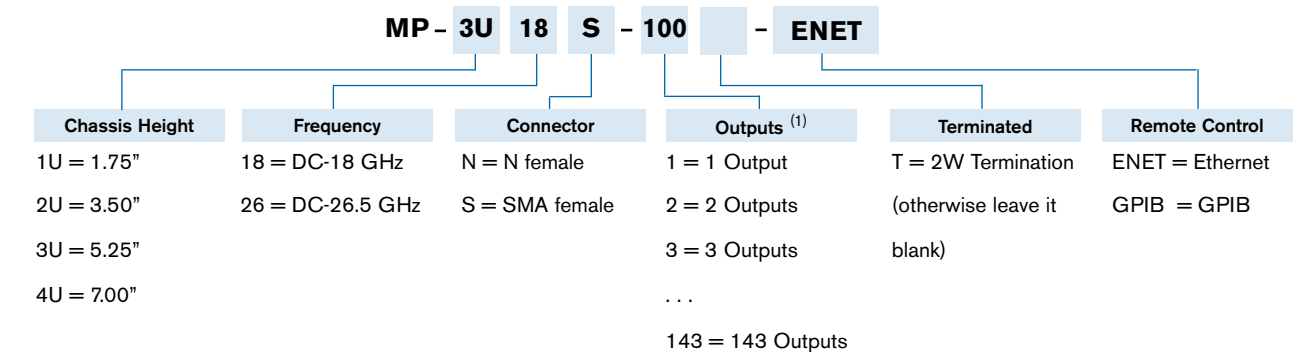
SP12T SWITCHES MOUNTED INSIDE THE ENCLOSURE

DC-18 GHz, Non-Terminated, SMA				1x121 to 1x143
Frequency [GHz]	VSWR Max.	Isolation Min. [dB]	Insertion Loss Max. [dB]	CW Power Max. [W]
DC-4	1.4	80	2.0	90
4-8	1.7	80	3.5	60
8-12	2.0	80	4.5	45
12-18	2.4	80	5.5	35

SEE APPENDIX B FOR MORE RF DATA & APPENDIX C FOR SWITCH SCHEMATICS

We reserve the right to alter, amend or replace any specifications at our sole discretion and without prior notice.

**Part Number Selector**



(1) Maximum outputs vary per following parameters:  
 For DC-18GHz Switch: Maximum 143 outputs (Non-Terminated & SMA)  
 Maximum 132 outputs (Terminated & SMA)  
 Maximum 47 outputs (Non-Terminated or Terminated & N)  
 For DC-26.5GHz Switch: Maximum 64 outputs (Non-Terminated or Terminated & SMA)





CB-3U18S-6X8-ENET

**Features**

<b>Switch Configuration</b>	2x2 up to 12x12 Terminated & Non-Terminated
<b>Configuration</b>	Non-Blocking Crossbar
<b>Operating Frequency</b>	DC-18 GHz or DC-26.5 GHz
<b>Manual Control</b>	LCD with Keypad (1RU) Touch Screen LCD (2RU-4RU)
<b>Remote Control</b>	<b>ENET:</b> Ethernet, Built-In Website, RS-232 and USB port. <b>GPIB:</b> IEEE-488, RS-232 and USB port.
<b>Impedance</b>	50-Ohm

**Application**

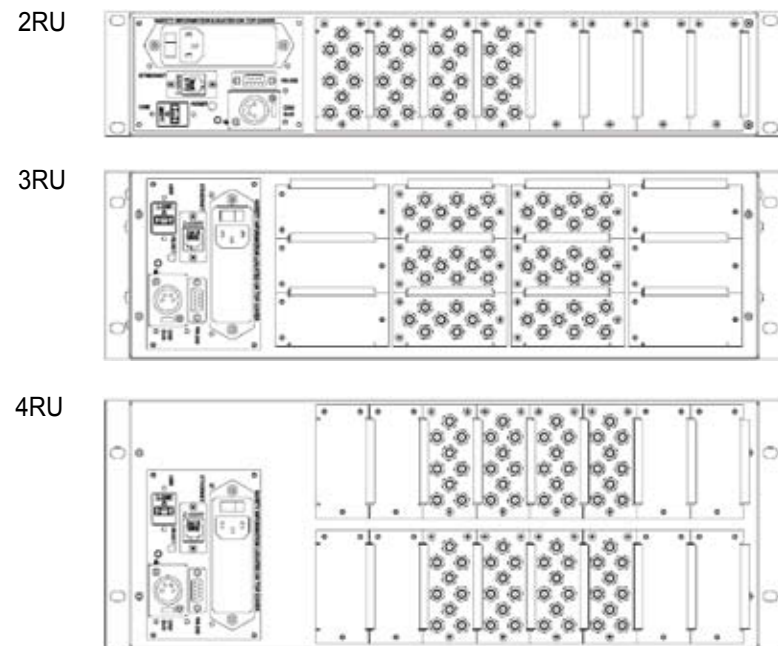
For more complex test setups and signal switching, the CB-series crossbar matrix is an excellent choice. It allows testing of multiple UUT/DUT (units/devices under test) with many input/output signals or high speed communication buses without having to connect and disconnect them from the setup.

A crossbar system can route any input signal to any output port such that the path between the I/O ports is unique at any given time.

**Software Features:**

- Built-in firmware to add, remove and address switches for trouble free switch replacement
- Application configuration available through "configuration file" - transferred via HTTP, USB or COM ports.
- Keeps track of the life of each switch
- Field upgradable firmware via boot loader (1)

**Rear View Samples (2)**



(2) The exact port locations may be different

**CAN Bus Specifications**

<b>Relay Type</b>	Coaxial, Normally Open
<b>I/O Connector Type</b>	SMA Female or N Female
<b>Switching Time</b>	50 ms (incl. control delay)
<b>Operating Life (min)</b>	1,000,000 (cold)
<b>MTBF</b>	30,000-50,000 Hours
<b>Operating Temperature</b>	0 °C to +50 °C
<b>Storage Temperature</b>	-20 °C to +70 °C
<b>Operating Humidity</b>	10-80% non-condensing
<b>Dimensions (max)</b>	19" Wide rack mount 15.25" (1U-2U) & 18.5" (3U-4U) Depth (w/o handles) 1U to 4U Height (1.75" to 7.00")
<b>Weight</b>	Varies per part number

<b>Manual Control</b>	LCD/Keypad or Touch Screen LCD
<b>Remote Control Ethernet or GPIB Option</b>	
<b>ENET Option</b>	Ethernet (TCP/IP), 10/100 BASE-T, built-in website, manual or DHCP IP address assignment
<b>RS-232</b>	DB9-F, Baud Rate 1200 -115200 bps
<b>USB Port</b>	Operates as a virtual RS-232
<b>GPIB Option</b>	GPIB (IEEE-488), RS-232 and USB
<b>Commands/Syntax</b>	Dow-Key SCPI commands
<b>Fuse</b>	Accessible/replaceable on the rear
<b>AC Power Supply</b>	110-240 VAC, 50-60 Hz
<b>Cooling / Venting</b>	Fans as required with 2U-4U models

**RF Specifications**

SEE APPENDIX C FOR SWITCH SCHEMATICS

SP10T NORMALLY OPEN SWITCHES

DC-18 GHz, Non-Terminated, SMA or N				2x2 to 10x10
Frequency [GHz]	VSWR	Isolation [dB]	Insertion Loss [dB]	CW Power [W]
DC-4	1.30	80	2.0	90
4-8	1.35	80	3.0	60
8-12	1.45	80	3.5	45
12-16	1.55	80	4.0	40
16-18	1.80	80	5.0	35

SP12T NORMALLY OPEN SWITCHES

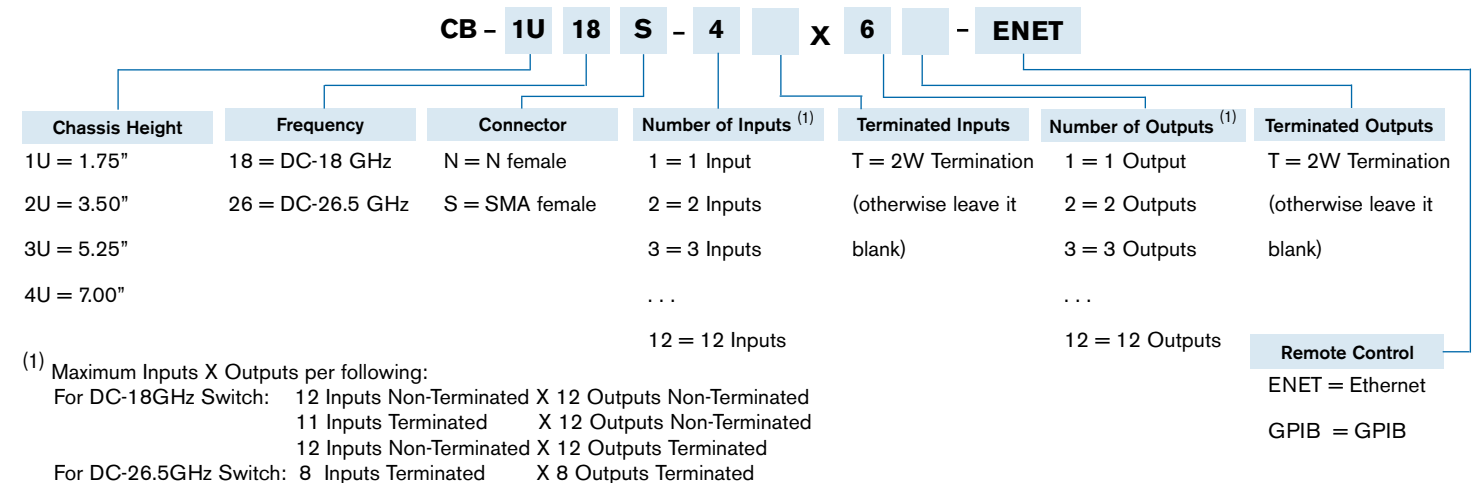
DC-18 GHz, Non-Terminated, SMA or N				11x11 to 12x12
Frequency [GHz]	VSWR	Isolation [dB]	Insertion Loss [dB]	CW Power [W]
DC-4	1.30	80	2.0	90
4-8	1.45	80	3.5	60
8-12	1.55	80	4.0	45
12-16	1.80	80	4.5	40
16-18	2.00	80	5.5	35

SP10T AND/OR SP12T NORMALLY OPEN/FAILSAFE SWITCHES

DC-18 GHz, Terminated, SMA or N				11Tx12 / 12x11T / 11Tx11T (MAX)
Frequency [GHz]	VSWR	Isolation [dB]	Insertion Loss [dB]	CW Power [W]
DC-4	1.30	80	2.0	90
4-8	1.45	80	3.5	60
8-12	1.65	80	4.0	45
12-16	1.80	80	4.5	40
16-18	2.00	80	5.5	35

We reserve the right to alter, amend or replace any specifications at our sole discretion and without prior notice.

**Part Number Selector**





4141-2/32-GPIB

**Features**

Maximum I/O ports	2x32 bidirectional Terminated Output ports
Configuration	Non-blocking Crossbar
Operating Frequency	DC-18 GHz
Manual Control	LCD with Keypad
Remote Control	Ethernet/RS-232 or GPIB/RS-232
Impedance	50-Ohm

**Part Numbers**

4141-2/32-ENET	4141-2/32-GPIB
----------------	----------------

**Application**

The 4141 Model is a bidirectional crossbar switch matrix configured with 2 inputs and 32 outputs using cascaded SP8T coaxial switches. The non-connected output ports are terminated to 50-ohm loads.

A crossbar system can route any input signal to any output port such that the path between the I/O ports is unique at any given time.

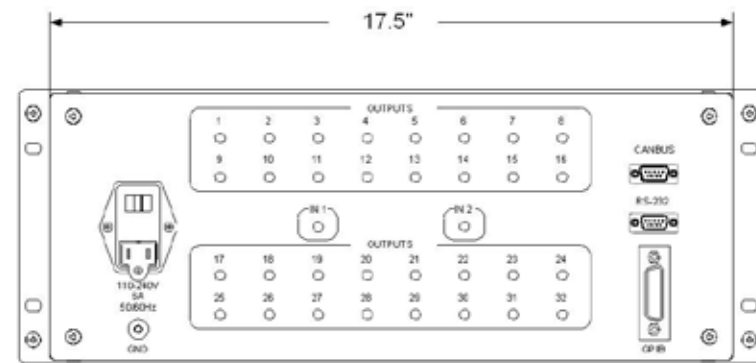
The switches can either be controlled via a LCD with Keypad on the front or remotely via Ethernet or GPIB along with RS-232 serial interface.

The system is best used for RF signal switching among multiple devices. A suggested application is to use it as an expansion port for network analyzers.

SEE APPENDIX C FOR SWITCH SCHEMATIC

**RF Specifications & Rear View**

2x32				
Frequency [GHz]	VSWR Max.	Isolation Min. [dB]	Insert. Loss Max. [dB]	CW Power Max. [W]
DC-8	1.40	70	3.0	10
8-12	1.70	65	4.0	7.5
12-18	1.85	60	5.0	5.0



4141-2/32-GPIB

**Specifications**

Relay Type	Latching Coaxial
Self-Terminating	2W, 50-Ohm Output Ports
I/O Connector Type	SMA Female
Switching Time (typ)	540 ms (incl. control delay)
Operating Life (min)	1,000,000 (cold)
MTBF	30,000-50,000 Hours
Operating Temperature	0 °C to +50 °C
Storage Temperature	-20 °C to +70 °C
Operating Humidity	10-80% non-condensing
Dimensions (max)	19" Wide rack mount 20" Depth 4U Height (7.00")

Manual Control	4x40 LCD with Keypad
<b>Remote Control Ethernet or GPIB Option</b>	
ENET Option	Ethernet (TCP/IP), 10/100 BASE-T, manual IP address assignment
RS-232	DB9 Female, Baud Rates 9,600 bps
GPIB Option	GPIB (IEEE-488) 24-pin (f) & RS-232
Commands/Syntax	Dow-Key SCPI commands
Switching Time	420 ms approx. (incl. control delay)
Fuse	Accessible/replaceable on the rear
AC Power Supply	85-264 VAC, 47-63 Hz, 150 W
Cooling / Venting	2 Fans / Side-to-Side
Weight (max)	30 lbs



4169-10/10-ENET

**Features**

Maximum I/O ports	10x10 bidirectional Normally Open, Phase-Matched Terminated Input & Output ports
Configuration	Non-blocking Crossbar
Operating Frequency	DC-18 GHz
Manual Control	LCD with Keypad
Remote Control	RS-232 with Ethernet or GPIB
Impedance	50-Ohm

**Part Numbers**

N= # of Inputs / M= # of Outputs	
4169-N/M-ENET	4169-N/M-GPIB

**Application**

Model 4169 is a bidirectional crossbar switch configured with maximum (10) inputs and (10) outputs - all accessible on the front - where unused input and output ports are internally terminated to a 2W/50-ohm load and all paths are phase matched.

A crossbar system can route any input signal to any output port such that the path between the I/O ports is unique at any given time.

This model is equipped with front panel LCD/keypad display for manual and local control, and remotely it can be controlled via RS-232 with the options of Ethernet or GPIB.

It is best used for RF testing where phase matched paths are critical and easy access to connect/disconnect I/O ports of the UUT is required from the front.

**RF Specifications & Rear View**

10x10				
Frequency [GHz]	VSWR Max.	Isolation Min. [dB]	Insert. Loss Max. [dB]	CW Power Max. [W]
DC-4	1.20	75	2.5	100
4-8	1.35	70	3.0	80
8-12	1.45	65	4.5	60
12-16	1.75	60	6.0	50
16-18	2.00	60	6.7	40



4169

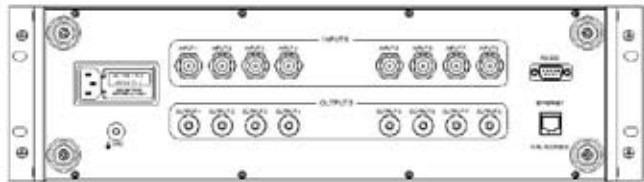
**Specifications**

Relay Type	Normally Open Coaxial Phased Matched, Terminated
I/O Connector Type	SMA Female
Switching Time (typ)	420 ms (incl. control delay)
Operating Life (min)	1,000,000 (cold)
MTBF	30,000-50,000 Hours
Operating Temperature	0 °C to +50 °C
Storage Temperature	-20 °C to +70 °C
Operating Humidity	10-80% non-condensing
Dimensions (max)	19" Wide rack mount 20" Depth 4U Height (7.00')

Manual Control	4x40 LCD with Keypad
<b>Remote Control Ethernet or GPIB Option</b>	
ENET Option	Ethernet (TCP/IP), 10/100 BASE-T, manual IP address assignment
RS-232	DB9 Female, Baud Rates 9,600 bps
GPIB Option	GPIB (IEEE-488) 24-pin (f) & RS-232
Commands/Syntax	Dow-Key SCPI commands
Switching Time	420 ms approx. (incl. control delay)
Fuse	Accessible/replaceable on the rear
AC Power Supply	85-264 VAC, 47-63 Hz, 150 W
Cooling / Venting	2 Fans / Side-to-Side
Weight (max)	30 lbs



4601-8/8-ENET



**Features**

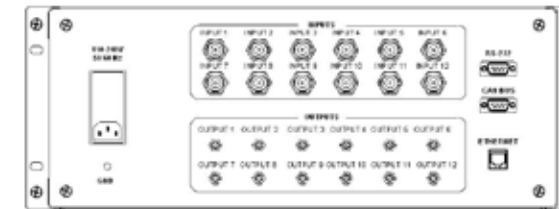
Input/Output ports	4x4 to 8x8 unidirectional
Configuration	Non-blocking Full Fan-Out
Operating Frequency	1-18 GHz
Manual Control	LCD Touch Screen
Remote Control	Ethernet
Power Supply	Redundant power supplies
Impedance	50-Ohm

**Part Numbers**

	N= # of Inputs / M= # of Output
4601-N/M-ENET	N=M: 4x4, 5x5, 6x6, 7x7, 8x8



4701-12/12-ENET



**Features**

Input/Output ports	9x9 to 12x12 unidirectional
Configuration	Non-blocking Full Fan-Out
Operating Frequency	1-18 GHz
Manual Control	LCD Touch Screen
Remote Control	Ethernet
Power Supply	Redundant power supplies
Impedance	50-Ohm

**Part Numbers**

	N= # of Inputs / M= # of Output
4701-N/M-ENET	N=M: 9x9, 10x10, 11x11, 12x12

**Application**

The 4601 Model is an unidirectional 50-ohm Fan-Out switch matrix configured with a maximum of 8 inputs and 8 outputs. The RF inputs are first amplified with high linearity amplifiers (to compensate for the insertion loss) and then divided using 4-way power dividers before being routed to SP8T coaxial switches terminated to 2W/50-ohm loads. Hence, the frequency band is limited to 1-18 GHz.

A fan-out matrix divides all the RF inputs such that it can switch any input to one or more (all) outputs simultaneously.

The 4601-series is equipped with MS Windows based PC, removable SATA hard drive, redundant power supplies with LED monitoring on the front panel. Locally it can be controlled via an LCD touch screen and remotely with Ethernet.

**RF Specifications**

	4x4 to 8x8
<b>VSWR (max)</b>	2.50:1 input & output
<b>Isolation (min)</b>	60 dB input/input 60 dB input/output 60 dB output/output (different input) 18 dB output/output (common input)
<b>Gain</b>	0 dB ± 2.0 dB
<b>Gain Flatness</b>	0.5 dB max over any "rolling" 100 MHz span, 8.0 dB max across 1-18 GHz
<b>Survivable Input Power</b>	+20 dBm (max) no damage
<b>1dB Compression (min)</b>	+5 dBm input
<b>3rd Order Intercept (min)</b>	+10 dBm
<b>2nd Order Intercept (min)</b>	+20 dBm
<b>Noise Figure (max)</b>	11 dB

**Specifications**

<b>Relay Type</b>	Latching Terminated Coaxial
<b>Other Components</b>	Amplifiers, Power Dividers
<b>I/O Connector Type</b>	N (f) inputs / SMA (f) outputs
<b>Switching Time (min)</b>	300 ms (incl. control delay)
<b>Operating Life (cold)</b>	1,000,000 per position
<b>MTBF</b>	30,000-50,000 Hours
<b>Dimensions (max)</b>	19" wide rack mount 20" Depth 3U Height (5.25")
<b>Operating Temperature</b>	0 °C to +50 °C
<b>Storage Temperature</b>	-20 °C to +70 °C
<b>Operating Humidity</b>	10-80% non-condensing
<b>Weight (max)</b>	50 lbs

<b>Local Control</b>	6.5" LCD Touch Screen (640x480)
<b>Remote Control</b>	Ethernet TCP/IP, 10/100/1000 BASE-T
<b>Commands/Syntax</b>	Dow-Key SCPI commands
<b>Operating System</b>	Microsoft Windows 7 or later RS-232 gives access to the built-in PC
<b>Hard drive</b>	160 GB (min) SATA HD / removable
<b>CPU/ Memory</b>	Embedded Intel processor / 2G RAM (min)
<b>Power Supply</b>	120-240 VAC, 50-60 Hz, 2A-1A, 250W (max) Power switch with guard on the front and LED indicators for redundancy
<b>Fuse</b>	Accessible/replaceable on the rear
<b>Cooling / Venting</b>	2 Fans / Side-to-Side

**Application**

The 4701 Model is an unidirectional 50-ohm Fan-Out switch matrix configured with a maximum of 12 inputs and 12 outputs. The RF inputs are first amplified with high linearity amplifiers (to compensate for the insertion loss) and then divided using 4-way and 3-way power dividers before being routed to terminated SP12T coaxial switches with 2W/50-ohm loads. Hence, the frequency band is limited to 1-18 GHz.

A fan-out matrix divides all the RF inputs such that it can switch any input to one or more (all) outputs simultaneously.

The 4701-series is equipped with MS Windows based PC, removable SATA hard drive, redundant power supplies with LED monitoring on the front panel. Locally it can be controlled via an LCD touch screen and remotely with Ethernet.

**RF Specifications**

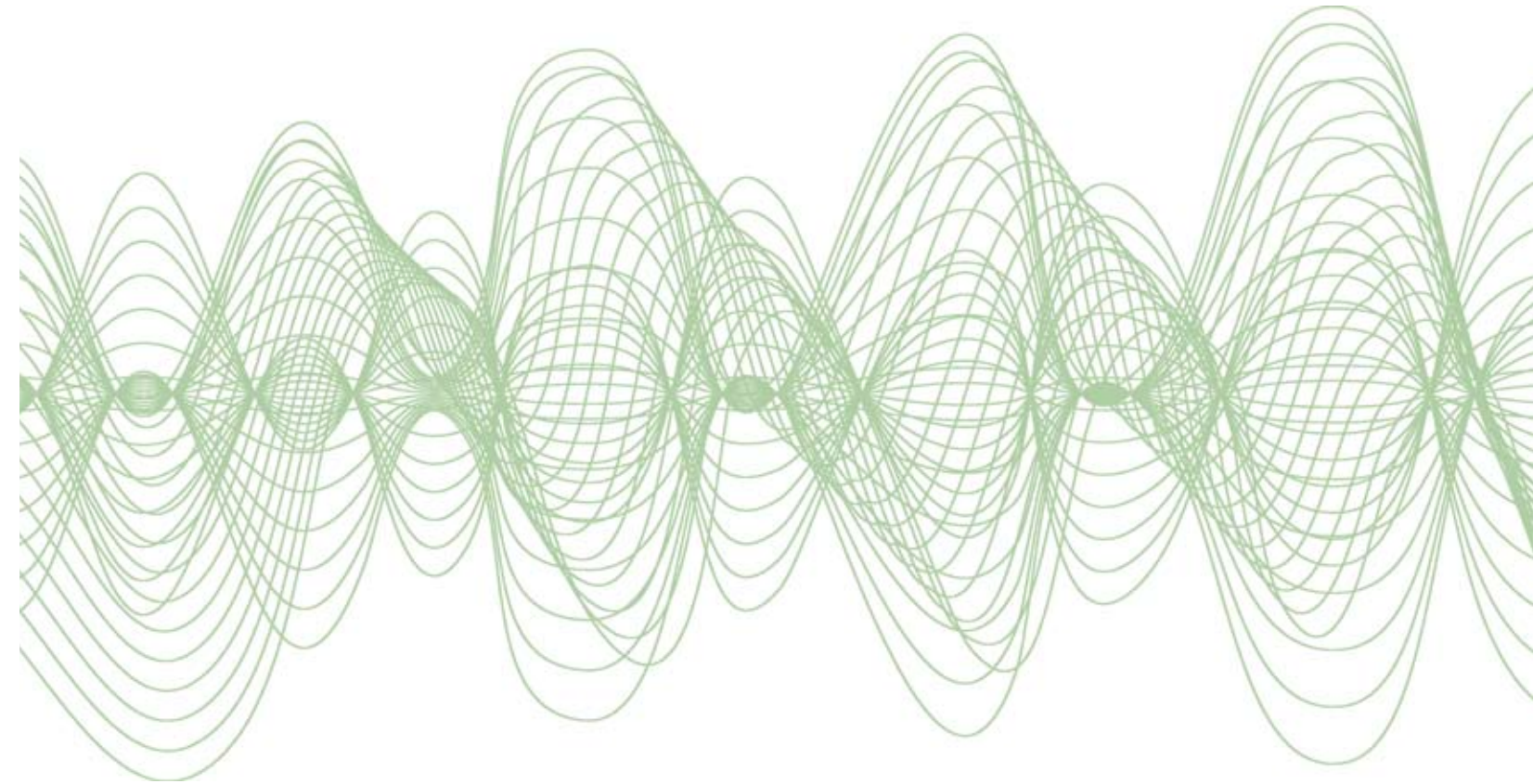
	9x9 to 12x12
<b>VSWR (max)</b>	2.50:1 input & output
<b>Isolation (min)</b>	60 dB input/input 60 dB input/output 60 dB output/output (different input) 18 dB output/output (common input)
<b>Gain</b>	0 dB ± 2.0 dB
<b>Gain Flatness</b>	0.5 dB max over any "rolling" 100 MHz span, 8.0 dB max across 1-18 GHz
<b>Survivable Input Power</b>	+15 dBm (max) do damage
<b>1dB Compression (min)</b>	+5 dBm input
<b>3rd Order Intercept (min)</b>	+10 dBm
<b>2nd Order Intercept (min)</b>	+20 dBm
<b>Noise Figure (max)</b>	11 dB

**Specifications**

<b>Relay Type</b>	Latching Terminated Coaxial
<b>Other Components</b>	Amplifiers, Power Dividers
<b>I/O Connector Type</b>	N (f) inputs / SMA (f) outputs
<b>Switching Time (min)</b>	300 ms (incl. control delay)
<b>Operating Life (cold)</b>	1,000,000 per position
<b>MTBF</b>	30,000-50,000 Hours
<b>Dimensions (max)</b>	19" wide rack mount 20" Depth 4U Height (7.00)
<b>Operating Temperature</b>	0 °C to +50 °C
<b>Storage Temperature</b>	-20 °C to +70 °C
<b>Operating Humidity</b>	10-80% non-condensing
<b>Weight (max)</b>	50 lbs

<b>Local Control</b>	6.5" LCD Touch Screen (640x480)
<b>Remote Control</b>	Ethernet TCP/IP, 10/100/1000 BASE-T
<b>Commands/Syntax</b>	Dow-Key SCPI commands
<b>Operating System</b>	Microsoft Windows 7 or later RS-232 gives access to the built-in PC
<b>Hard drive</b>	160 GB (min) SATA HD / removable
<b>CPU/ Memory</b>	Embedded Intel processor / 2G RAM (min)
<b>Power Supply</b>	120-240 VAC, 50-60 Hz, 2A-1A, 250W (max) Power switch with guard on the front and LED indicators for redundancy
<b>Fuse</b>	Accessible/replaceable on the rear
<b>Cooling / Venting</b>	2 Fans / Side-to-Side

# SOLID STATE MATRICES





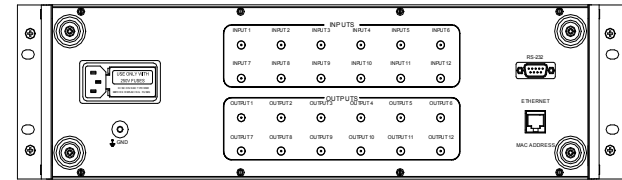
**Features**

<b>Input/Output ports</b>	6x6 to 12x12 unidirectional
<b>Configuration</b>	Non-blocking Full Fan-Out
<b>Operating Frequency</b>	800-2500 MHz
<b>Manual Control</b>	LCD Touch Screen
<b>Remote Control</b>	Ethernet
<b>Power Supply</b>	Redundant power supplies
<b>Impedance</b>	50-Ohm

**Part Numbers**

N= # of Inputs / M= # of Output

3202	(12x12)	3202-NXM-ENET
3202-8X16-ENET	(8X16)	N=M: 6x6, 8x8, 10x10



3202

**Application**

The 3202 Model is a non-blocking full fan-Out solid state switch matrix operating from 800 MHz to 2500 MHz (L-band). The system can be configured with maximum 12 inputs and 12 outputs or as 8 by 16.

As a fan-out matrix, the input RF signals are amplified and divided across every output such that each input signal can be switched to all output ports simultaneously.

This model is equipped with a MS Windows based PC, removable SATA hard drive and redundant power supplies with LED monitoring on the front panel. Locally it can be controlled via an LCD touch screen and remotely with Ethernet.

This model is ideal for SATCOM applications where high density RF switching (transmitting and receiving) for narrowband, low frequency and low power applications are required.

**Specifications**

<b>Relay Type</b>	Solid State
<b>Other Components</b>	Amplifiers, Power Dividers
<b>I/O Connector Type</b>	SMA female
<b>Switching Time (typ)</b>	100 ms (incl. control delay)
<b>MTBF</b>	25,000-50,000 Hours
<b>Dimensions (max)</b>	19" wide rack mount 21" Depth 3U Height (5.25")
<b>Operating Temperature</b>	0 °C to +50 °C
<b>Storage Temperature</b>	-20 °C to +70 °C
<b>Operating Humidity</b>	10-80% non-condensing
<b>Weight (max)</b>	40 lbs

**RF Characteristics**

6x6 to 12x12, 8x16	
<b>VSWR (max)</b>	1.80:1 input & output
<b>Isolation (min)</b>	55 dB input/input 55 dB input/output 55 dB output/output (different input) 40 dB output/output (common input)
<b>Gain</b>	0 dB ± 2.0 dB
<b>Gain Flatness</b>	0.5 dB max over any 50 MHz span 800-950 MHz & 2250-2500 MHz
<b>Survivable Input Power</b>	+20 dBm (max) no damage
<b>1dB Compression (min)</b>	+12 dBm input
<b>3rd Order Intercept (min)</b>	+25 dBm
<b>2nd Order Intercept (min)</b>	+30 dBm
<b>Noise Figure (max)</b>	15 dB

<b>Local Control</b>	6.5" LCD Touch Screen (640x480)
<b>Remote Control</b>	Ethernet TCP/IP, 10/100/1000 BASE-T
<b>Commands/Syntax</b>	Dow-Key SCPI commands
<b>Operating System</b>	Microsoft Windows 7 or later RS-232 gives access to the built-in PC
<b>Hard drive</b>	160 GB (min) SATA HD / removable
<b>CPU/ Memory</b>	Embedded Intel processor / 2G RAM (min)
<b>Power Supply</b>	120-240 VAC, 50-60 Hz, 3-6A, 250W (max) Power ON/OFF switch with guard on the front and LED indicators for redundancy
<b>Fuse</b>	Accessible/replaceable on the rear
<b>Cooling / Venting</b>	4 fans / side-to-side

We reserve the right to alter, amend or replace any specifications at our sole discretion and without prior notice.

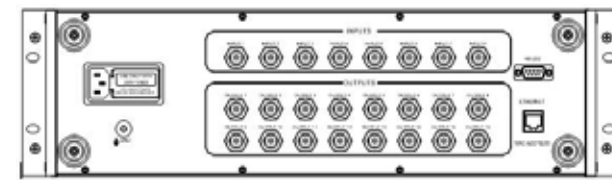


**Features**

<b>Input/Output ports</b>	8x8 or 8x16 unidirectional
<b>Configuration</b>	Non-blocking Full Fan-Out
<b>Operating Frequency</b>	20-1100 MHz
<b>Manual Control</b>	LCD Touch Screen
<b>Remote Control</b>	Ethernet
<b>Power Supply</b>	Redundant power supplies
<b>Impedance</b>	50-Ohm

**Part Numbers**

3203	(8X16)	3203-8X8-ENET	(8X8)
------	--------	---------------	-------



3203

**Application**

The 3203 Model is a non-blocking full fan-out solid state switch matrix operating from 10 MHz to 1100 MHz (VHF-band). The system can be configured with a maximum 8 inputs and 16 outputs.

As a fan-out matrix, the input RF signals are amplified and divided across every output such that each input signal can be switched to all output ports simultaneously.

The 3203 series is equipped with a MS Windows based PC, LCD touch screen display with GUI for manual control and redundant power supplies with LED monitoring on the front panel. Remotely, it is controlled using Ethernet.

This model is ideal for SATCOM applications where high density RF switching (transmitting and receiving) for narrowband, low frequency and low power applications are required.

**Specifications**

<b>Relay Type</b>	Solid State
<b>Other Components</b>	Amplifiers, 8-way Power Dividers
<b>I/O Connector Type</b>	BNC female
<b>Switching Time (typ)</b>	100 ms (incl. control delay)
<b>MTBF</b>	25,000-50,000 Hours
<b>Dimensions (max)</b>	19" wide rack mount 21" Depth 3U Height (5.25")
<b>Operating Temperature</b>	0 °C to +50 °C
<b>Storage Temperature</b>	-20 °C to +70 °C
<b>Operating Humidity</b>	10-80% non-condensing
<b>Weight (max)</b>	40 lbs

We reserve the right to alter, amend or replace any specifications at our sole discretion and without prior notice.

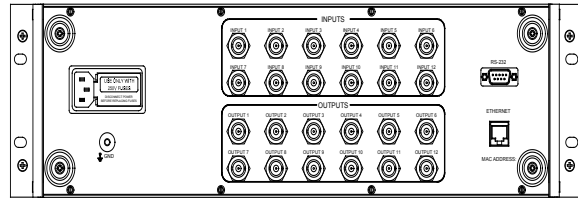
**RF Characteristics**

8x8 to 8x16	
<b>VSWR (max)</b>	1.80:1 input & output
<b>Isolation (min)</b>	55 dB input/input 55 dB input/output 55 dB output/output (different input) 30 dB output/output (common input)
<b>Gain</b>	0 dB ± 2.0 dB
<b>Survivable Input Power</b>	+25 dBm (max) no damage
<b>1dB Compression (min)</b>	+15 dBm input
<b>3rd Order Intercept (min)</b>	+25 dBm
<b>2nd Order Intercept (min)</b>	+55 dBm
<b>Noise Figure (max)</b>	14 dB

<b>Local Control</b>	6.5" LCD Touch Screen (640x480)
<b>Remote Control</b>	Ethernet TCP/IP, 10/100/1000 BASE-T
<b>Commands/Syntax</b>	Dow-Key SCPI commands
<b>Operating System</b>	Microsoft Windows 7 or later RS-232 gives access to the built-in PC
<b>Hard drive</b>	160 GB (min) SATA HD / removable
<b>CPU/ Memory</b>	Embedded Intel processor / 2G RAM (min)
<b>Power Supply</b>	120-240 VAC, 50-60 Hz, 3-6A, 250W (max) Power ON/OFF switch with guard on the front and LED indicators for redundancy
<b>Fuse</b>	Accessible/replaceable on the rear
<b>Cooling / Venting</b>	4 fans / side-to-side



3204



**Features**

<b>Input/Output ports</b>	6x6 to 12x12 unidirectional
<b>Configuration</b>	Non-blocking Full Fan-Out
<b>Operating Frequency</b>	20-200 MHz
<b>Manual Control</b>	LCD Touch Screen
<b>Remote Control</b>	Ethernet
<b>Power Supply</b>	Redundant power supplies
<b>Impedance</b>	50-Ohm

**Part Numbers**

N= # of Inputs / M= # of Output

3204 (12x12)	3204-NXM-ENET
	N=M: 6x6, 8x8, 10x10

**Application**

The 3204 Model is a non-blocking full fan-out solid state switching system operating from 20 MHz to 200 MHz (IF-band). The system can be configured to a maximum of 12 inputs and 12 outputs.

As a fan-out matrix, the input RF signals are divided across every output such that each input signal can be switched to all output ports simultaneously.

This model is equipped with a MS Windows based PC, removable SATA hard drive and redundant power supplies with LED monitoring on the front panel. Locally it can be controlled via an LCD touch screen and remotely with Ethernet.

This model is ideal for SATCOM applications where high density RF switching (transmitting and receiving) for narrowband, low frequency and low power applications are required.

**RF Characteristics**

**6x6 to 12x12**

<b>VSWR (max)</b>	1.50:1 input & output
<b>Isolation (min)</b>	55 dB input/input
	55 dB input/output
	55 dB output/output (different input)
	40 dB output/output (common input)
<b>Gain</b>	0 dB ± 1.0 dB
<b>Gain Flatness</b>	0.5 dB max over any 70 MHz span
<b>Survivable Input Power</b>	+15 dBm (max) no damage
<b>1dB Compression (min)</b>	+10 dBm input
<b>3rd Order Intercept (min)</b>	+20 dBm
<b>2nd Order Intercept (min)</b>	+35 dBm
<b>Noise Figure (max)</b>	15 dB

**Specifications**

<b>Relay Type</b>	Solid State
<b>Other Components</b>	Amplifiers, Power Dividers
<b>I/O Connector Type</b>	SMA female
<b>Switching Time (typ)</b>	100 ms (incl. control delay)
<b>MTBF</b>	25,000-50,000 Hours
<b>Dimensions (max)</b>	19" wide rack mount 21" Depth 3U Height (5.25")
<b>Operating Temperature</b>	0 °C to +50 °C
<b>Storage Temperature</b>	-20 °C to +70 °C
<b>Operating Humidity</b>	10-80% non-condensing
<b>Weight (max)</b>	40 lbs

<b>Local Control</b>	6.5" LCD Touch Screen (640x480)
<b>Remote Control</b>	Ethernet TCP/IP, 10/100/1000 BASE-T
<b>Commands/Syntax</b>	Dow-Key SCPI commands
<b>Operating System</b>	Microsoft Windows 7 or later RS-232 gives access to the built-in PC
<b>Hard drive</b>	160 GB (min) SATA HD / removable
<b>CPU/ Memory</b>	Embedded Intel processor / 2G RAM (min)
<b>Power Supply</b>	120-240 VAC, 50-60 Hz, 3-6A, 250W (max) Power ON/OFF switch with guard on the front and LED indicators for redundancy
<b>Fuse</b>	Accessible/replaceable on the rear
<b>Cooling / Venting</b>	4 fans / side-to-side

We reserve the right to alter, amend or replace any specifications at our sole discretion and without prior notice.



3205

**Features**

<b>Input/Output ports</b>	6x6 to 12x12 unidirectional
<b>Configuration</b>	Non-blocking Full Fan-Out
<b>Operating Frequency</b>	2-32 MHz
<b>Manual Control</b>	LCD Touch Screen
<b>Remote Control</b>	Ethernet
<b>Power Supply</b>	Redundant power supplies
<b>Impedance</b>	50-Ohm

**Part Numbers**

3205 (6X12)	3205-6X6-ENET (6X6)
-------------	---------------------

**Application**

The 3205 Model is a non-blocking full fan-out solid state switching system operating from 2 MHz to 32 MHz (HF-band). The system can be configured with a maximum 6 inputs and 12 outputs

As a fan-out matrix, the input RF signals are divided across every output such that each input signal can be switched to all output ports simultaneously.

This model is equipped with a MS Windows based PC, removable SATA hard drive and redundant power supplies with LED monitoring on the front panel. Locally it can be controlled via an LCD touch screen and remotely with Ethernet.

This model is ideal for SATCOM applications where high density RF switching (transmitting and receiving) for narrowband, low frequency and low power applications are required.

**RF Characteristics**

**6x6 to 6x12**

<b>VSWR (max)</b>	1.80:1 input & output
<b>Isolation (min)</b>	50 dB input/input
	50 dB input/output
	50 dB output/output (different input)
	30 dB output/output (common input)
<b>Gain</b>	0 dB ± 2.0 dB
<b>Survivable Input Power</b>	+25 dBm (max) no damage
<b>1dB Compression (min)</b>	+15 dBm input
<b>3rd Order Intercept (min)</b>	+30 dBm
<b>2nd Order Intercept (min)</b>	+60 dBm
<b>Noise Figure (max)</b>	10 dB

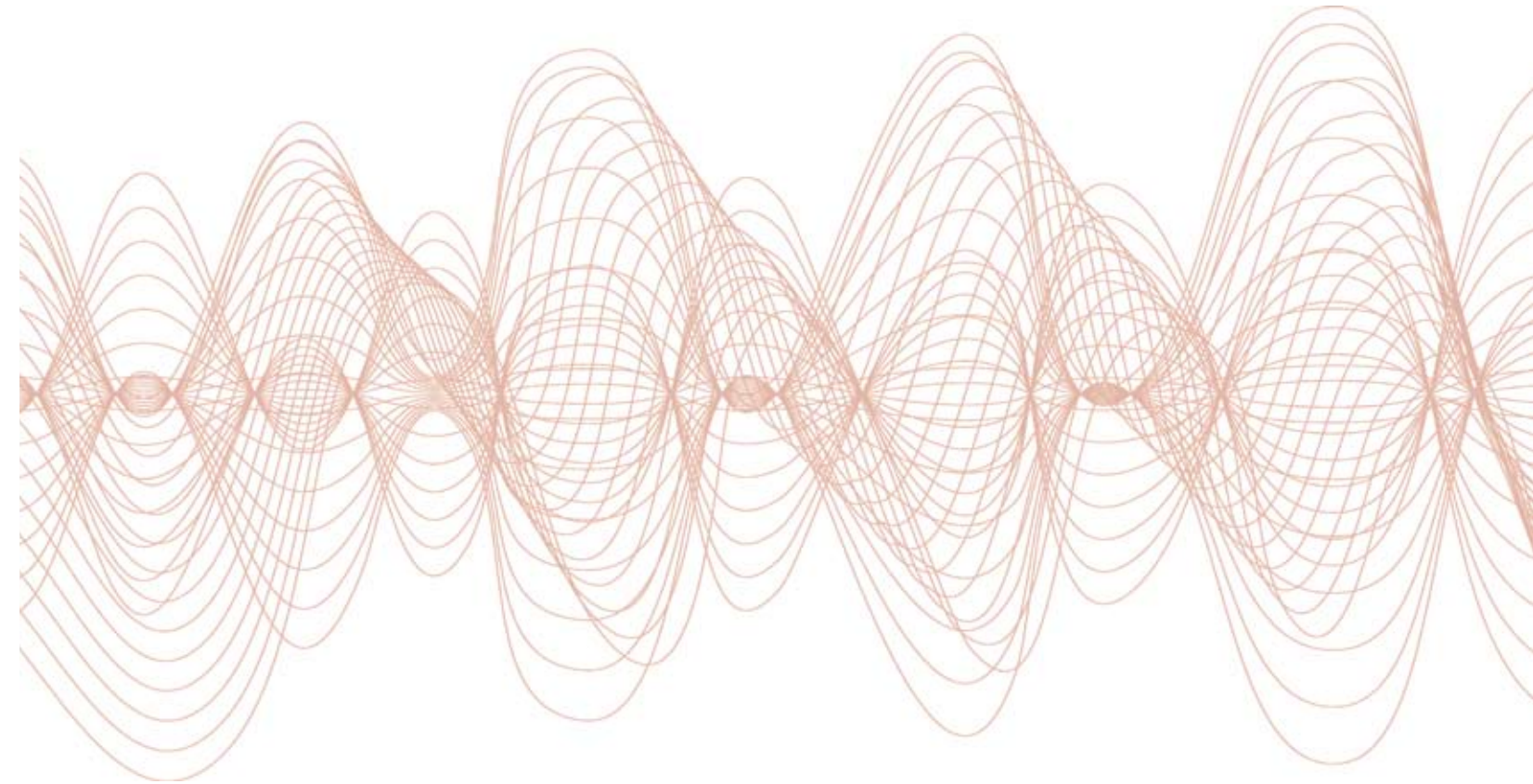
**Specifications**

<b>Relay Type</b>	Electromechanical Relay
<b>Other Components</b>	Amplifiers, Power Dividers
<b>I/O Connector Type</b>	SMA female
<b>Switching Time (typ)</b>	100 ms (incl. control delay)
<b>MTBF</b>	25,000-50,000 Hours
<b>Dimensions (max)</b>	19" wide rack mount 21" Depth 3U Height (5.25")
<b>Operating Temperature</b>	0 °C to +50 °C
<b>Storage Temperature</b>	-20 °C to +70 °C
<b>Operating Humidity</b>	10-80% non-condensing
<b>Weight (max)</b>	40 lbs

<b>Local Control</b>	6.5" LCD Touch Screen (640x480)
<b>Remote Control</b>	Ethernet TCP/IP, 10/100/1000 BASE-T
<b>Commands/Syntax</b>	Dow-Key SCPI commands
<b>Operating System</b>	Microsoft Windows 7 or later RS-232 gives access to the built-in PC
<b>Hard drive</b>	160 GB (min) SATA HD / removable
<b>CPU/ Memory</b>	Embedded Intel processor / 2G RAM (min)
<b>Power Supply</b>	120-240 VAC, 50-60 Hz, 3-6A, 250 W (max) Power ON/OFF switch with guard on the front and LED indicators for redundancy
<b>Fuse</b>	Accessible/replaceable on the rear
<b>Cooling / Venting</b>	4 fans / side-to-side

We reserve the right to alter, amend or replace any specifications at our sole discretion and without prior notice.

# FIBER OPTIC MATRICES





7001

**Features**

<b>Input/Output Configurations</b>	16x16 Matrix utilized as 8x14 Crossbar with two 1x4 Fan-Out Segments
<b>Operating Frequency</b>	1530-1565 nm (C-band)
<b>Manual Control</b>	LCD Touch Screen
<b>Remote Control</b>	Ethernet

**Part Number**

7001



7002

**Features**

<b>Input/Output Configurations</b>	16x16 Matrix utilized as 14x15 crossbar with a 1x2 Fan-Out Segment
<b>Operating Frequency</b>	1530-1560 nm (C-band)
<b>Manual Control</b>	LCD Touch Screen
<b>Remote Control</b>	Ethernet

**Part Number**

7002

**Application**

The 7001 models is a non-blocking 16x16 matrix with MEMS optical switches and splitters and it is configured as a 8x14 crossbar with two 1x4 fan-out switch segments. It switches input-to-output paths in pure optical domain with a operating wavelength of 1530-1565 nm in C-band.

The crossbar segment routes any input signal to any output port such that the path between the I/O ports is unique at any given time. Whereas the fan-out configuration re-routes outputs 15 & 16 back to inputs 9-to-12 & 13-to-16 respectively to make two 1x4 fan-out segments. See appendix C for more details.

This model is equipped with a MS Windows based PC, removable SATA hard drive and redundant power supplies with LED monitoring and guarded power switch on the front panel. Locally it can be controlled through an LCD touch screen with Graphical User Interface (GUI) and remotely through Ethernet.

**RF Characteristics**

	Crossbar Segment	Fan-Out Segment
<b>Insertion Loss <sup>(1)</sup> (max)</b>	2 dB	1.60 dB
<b>Crosstalk (max)</b>	-70 dB	-70 dB
<b>Back Reflection (max)</b>	-50 dB	-50 dB
<b>TDL <sup>(2)</sup> (max)</b>	0.30 dB	0.30 dB
<b>WDL <sup>(3)</sup> (max)</b>	0.25 dB	0.25 dB
<b>PDL <sup>(4)</sup> (max)</b>	0.05 dB	0.05 dB
<b>Repeatability (max)</b>	± 0.02 dB	± 0.02 dB
<b>Stability (max)</b>	± 0.02 dB	± 0.02 dB
<b>Optical Power (max)</b>	500 mW	500 mW

- (1) Measured at 1550 nm
- (2) Time Dependent Loss
- (3) Wavelength Dependent Loss specified in ± 20nm range
- (4) Polarization Dependent Loss

SEE APPENDIX C FOR SWITCH SCHEMATIC

**Specifications**

<b>Relay Type</b>	Non-Latching MEMS	<b>Local Control</b>	6.5" (640x480) LCD Touch Screen GUI
<b>I/O Connector Type</b>	LC		USB port for keyboard or mouse
<b>Switching Time (max)</b>	35 ms (excl. software delay)	<b>Remote Control</b>	Ethernet (TCP/IP)
<b>Fiber Type</b>	9/125 μm single mode	<b>Fault &amp; Error Reporting</b>	via Ethernet and LCD (visual)
<b>Lifetime (min)</b>	10 <sup>9</sup> cycles	<b>Commands/Syntax</b>	Dow-Key SCPI commands
<b>Dimensions (max)</b>	19" wide full rack 20" Depth 3U Height (5.25")	<b>Operating System</b>	Microsoft Windows
<b>Operating Temperature</b>	0 °C to +50 °C	<b>Hard drive (min)</b>	120 GB SATA HD / removable
<b>Storage Temperature</b>	-20 °C to +65 °C	<b>Power Supply</b>	120-240 VAC, 50-60 Hz, 250 W (max) Power ON/OFF switch with guard on the front and LED indicators for redundancy
<b>Operating Humidity</b>	10-80% non-condensing	<b>Fuse</b>	Accessible/replaceable on the rear
<b>Weight (typ)</b>	30 lbs	<b>Cooling / Venting</b>	2 fans / side-to-side

**Application**

The 7002 models is a non-blocking 16x16 matrix with MEMS optical switches and splitters and it is configured as a 14x15 crossbar with a 1x2 fan-out switch segment. It switches input-to-output paths in pure optical domain with a operating wavelength of 1530-1565 nm in C-band.

The crossbar segment routes any input signal to any output port such that the path between the I/O ports is unique at any given time. Whereas the fan-out segment amplifies output 16 and re-routes it to input 15 & 16 to configure a 1x2 fan-out switch. See appendix C for more details.

This model is equipped with a MS Windows based PC, removable SATA hard drive and redundant power supplies with LED monitoring and guarded power switch on the front panel. Locally it can be controlled through an LCD touch screen with Graphical User Interface (GUI) and remotely through Ethernet.

**RF Characteristics**

	Crossbar Segment	Fan-Out Segment
<b>Insertion Loss <sup>(1)</sup> (max)</b>	2 dB	5.4 dB
<b>Crosstalk (max)</b>	-70 dB	-70 dB
<b>Back Reflection (max)</b>	-47 dB	-47 dB
<b>TDL <sup>(2)</sup> (max)</b>	0.40 dB	0.55 dB
<b>PDL <sup>(3)</sup> (max)</b>	0.20 dB	0.30 dB
<b>Repeatability (max)</b>	± 0.04 dB	± 0.04 dB
<b>Optical Power (max)</b>	500 mW	500 mW

- (1) Measured at 1550 nm
- (2) Time Dependent Loss
- (3) Polarization Dependent Loss

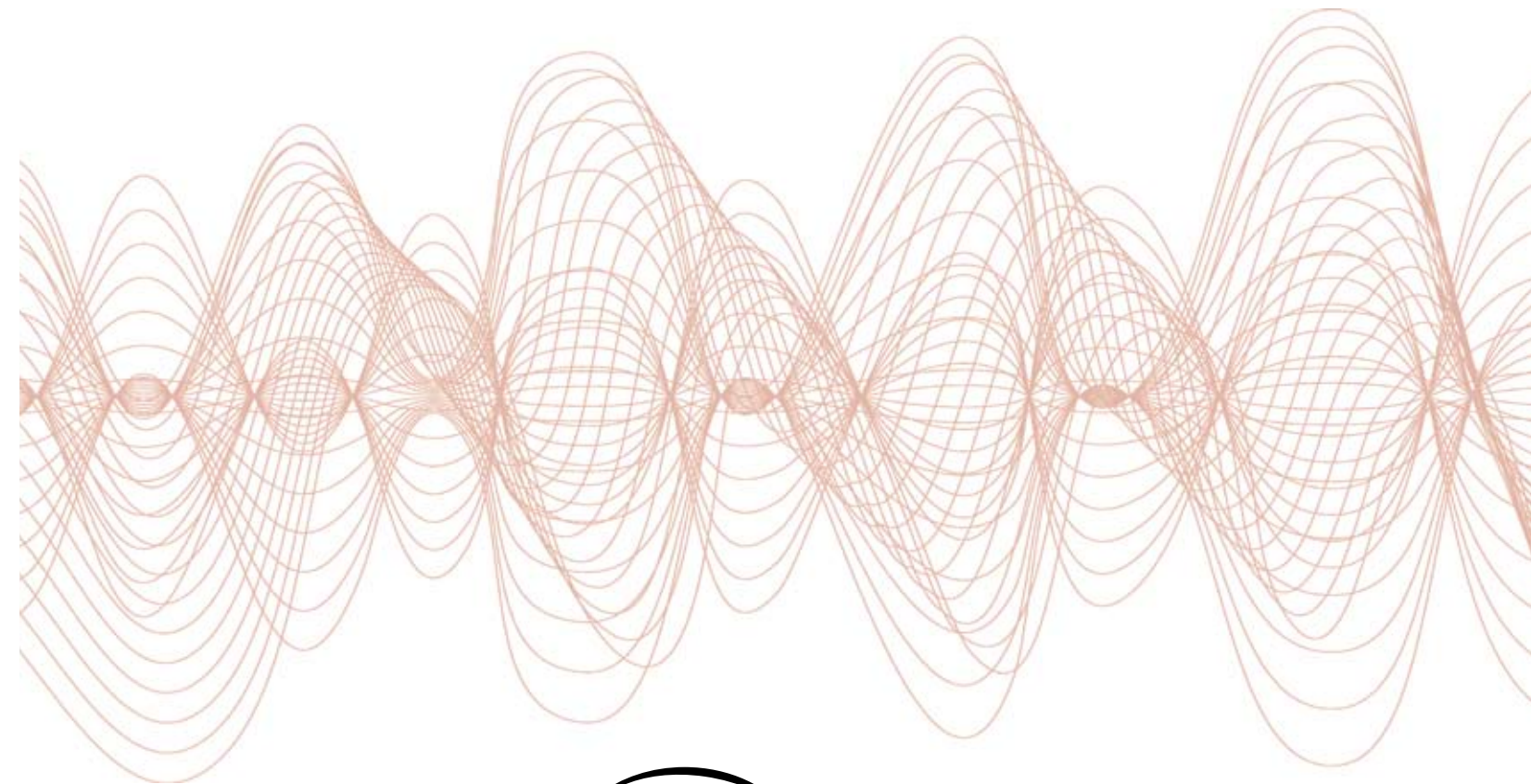
SEE APPENDIX C FOR SWITCH SCHEMATIC

**Specifications**

<b>Relay Type</b>	Non-Latching MEMS	<b>Local Control</b>	6.5" (640x480) LCD Touch Screen GUI
<b>I/O Connector Type</b>	FC/APC		USB port for keyboard or mouse
<b>Switching Time (max)</b>	35 ms (excl. software delay)	<b>Remote Control</b>	Ethernet (TCP/IP)
<b>Filter Type</b>	9 μm single mode	<b>Fault &amp; Error Reporting</b>	via Ethernet and LCD (visual)
<b>Lifetime (min)</b>	10 <sup>9</sup> cycles	<b>Commands/Syntax</b>	Dow-Key SCPI commands
<b>Dimensions (max)</b>	19" wide full rack 20" Depth 3U Height (5.25")	<b>Operating System</b>	Microsoft Windows
<b>Operating Temperature</b>	0 °C to +50 °C	<b>Hard drive (min)</b>	120 GB SATA HD / removable
<b>Storage Temperature</b>	-20 °C to +65 °C	<b>Power Supply</b>	120-240 VAC, 50-60 Hz, 250 W (max) Power ON/OFF switch with guard on the front and LED indicators for redundancy
<b>Operating Humidity</b>	10-80% non-condensing	<b>Fuse</b>	Accessible/replaceable on the rear
<b>Weight (typ)</b>	30 lbs	<b>Cooling / Venting</b>	2 fans / side-to-side



# INTEGRATED SWITCH SYSTEM CAPABILITIES





5096

**Features**

<b>Input/Output ports</b>	16x32 expandable to 32x64 unidirectional
<b>Configuration</b>	Non-blocking Full Fan-Out
<b>Operating Frequency</b>	3.4-4.2 GHz (C-band)
<b>Manual Control</b>	LCD Touch Screen
<b>Remote Control</b>	RS-422
<b>Impedance</b>	50-Ohm

**Part Numbers**

5096 (32x64)	5263 (16x64)
--------------	--------------

**Application**

The C-band non-blocking fan-out solid state switch model is ideal for SATCOM applications with a narrow band operating frequency of 3.4-4.2 GHz. It can be configured to maximum 16 inputs and 64 outputs and is a fully integrated 19" rack 34U modular system using (8) sub-modules (32x64):

- 1x Controller module (3U)
- 2x 16x64 Input modules (3U ea.)
- 4x 32x16 Output modules (6U ea.)
- 1x Fan Control module (1U)

The system is fully controlled through the Controller module, which is equipped with a MS Windows based PC, removable SATA hard drive and multiple power supplies. Locally it can be controlled via an LCD touch screen and remotely with RS-422.

On the rear panel, the Input and the Output Modules are interconnected using 9-pin CAN bus D-sub connectors to create a full 16x64 or 32x64 matrix.

**RF Characteristics (5096 & 5263)**

<b>VSWR (max)</b>	1.3:1 input & output
<b>Isolation (min)</b>	60 dB input/input
	60 dB input/output
	60 dB output/output (different input)
	20 dB output/output (common input)
<b>Gain, any path</b>	-14 dB ± 2 dB @ 3.8 GHz, 20°C
<b>Gain, bal. btw. ch. (max)</b>	± 1.5 dB @ 3.8 GHz, 20°C
<b>Gain Stability</b>	± 0.2 dB over ± 5°C
<b>Gain, variation vs. freq.</b>	± 0.5 dB over any 40 MHz segment ± 0.5 dB over any 80 MHz segment ± 1.5 dB over 3.4-4.2 GHz segment
<b>1dB Compression (min)</b>	-5 dBm output
<b>3rd Order Intercept (min)</b>	+4 dBm output
<b>Noise Figure (max)</b>	17 dB
<b>Spurious Outputs (max)</b>	-100 dBm signal dependent -70 dBc signal related

**Specifications**

<b>Relay Type</b>	Solid State
<b>Other Components</b>	Amplifiers, Power Dividers
<b>I/O Connector Type</b>	SMA female
<b>Dimensions (max)</b>	19" wide full rack 21" Depth 34U Height (59.5")
<b>Operating Temperature</b>	0 °C to +50 °C
<b>Storage Temperature</b>	-40 °C to +50 °C
<b>Operating Humidity</b>	10-80% non-condensing
<b>Weight (typ)</b>	295 lbs (32x64)

<b>Local Control</b>	6.5" LCD Touch Screen USB port for keyboard or mouse
<b>Remote Control</b>	RS-422 with DB9 male
<b>Commands/Syntax</b>	Dow-Key SCPI commands
<b>Operating System</b>	Microsoft Windows
<b>Hard drive</b>	160 GB (min) SATA HD / removable
<b>CPU/ Memory</b>	Embedded Intel processor / 2G RAM (min)
<b>Power Supply</b>	120-240 VAC, 50-60 Hz, 1200 W (max) (multiple power supplies are included)
<b>Fuse</b>	Accessible/replaceable on the rear
<b>Cooling / Venting</b>	1x 1U Fan Module



5190

5191

**Features**

<b>Input/Output ports</b>	12x48 Transmitter & 48x12 Receiver
<b>Configuration</b>	12x48 Non-blocking Full Fan-Out 48x12 Non-blocking Full Fan-In
<b>Operating Frequency</b>	950-2050 MHz (L-band)
<b>Manual Control</b>	LCD Touch Screen
<b>Remote Control</b>	RS-422
<b>Impedance</b>	50-Ohm

**Part Numbers**

5190 (Receiver)	5191 (Transmitter)
-----------------	--------------------

**Application**

The L-band non-blocking fan-out transmitter and fan-in receiver model is ideal for Teleport SATCOM applications with a narrow band operating frequency of 950-2050 MHz. The transmitter 19" rack is configured with 12 inputs and 48 outputs and the second 19" rack is the receiver tower with 48 inputs and 12 outputs.

Each rack is integrated using modular approach consisting for the following sub-modules:

**5190/5191: Both Receiver and Transmitter**  
Power supply module, Signal monitor panel and Fiber optic receiver

**5190: Receiver Only (48x12)**  
4x 12x12 fan-in module, Main controller and L-Band amplifiers

**5191: Transmitter Only (12x48)**  
4x 12x12 fan-out module and Slave controller

**Specifications**

<b>Relay Type</b>	Solid State
<b>Other Components</b>	Amplifiers, Power Dividers & Power Combiners
<b>I/O Connector Type</b>	SMA female
<b>Dimensions (max)</b>	19" wide full rack 21" Depth Height: 16U fan-in / 16U fan-out segments plus more modules
<b>Operating Temperature</b>	0 °C to +50 °C
<b>Storage Temperature</b>	-40 °C to +50 °C
<b>Operating Humidity</b>	10-80% non-condensing

**RF Characteristics (5190 & 5191)**

<b>VSWR (max)</b>	1.8:1 input & output
<b>Isolation (min)</b>	55 dB input/input
	60 dB input/output
	55 dB output/output (different input)
	40 dB output/output (common input)
<b>Gain, any path</b>	0 dB ± 2.5 dB
<b>Power, Operating (max)</b>	+12 dBm routed to 1 output (fan-in)
<b>Power, no damage (max)</b>	+15 dBm routed to 1 output (fan-in)
<b>1dB Compression (min)</b>	+10 dBm output
<b>3rd Order Intercept (min)</b>	+21 dBm output
<b>Noise Figure (max)</b>	17 dB (12x48) 21 dB (48x12)

<b>Local Control</b>	6.5" LCD Touch Screen USB port for keyboard or mouse
<b>Remote Control</b>	RS-422 with DB9 male
<b>Commands/Syntax</b>	Dow-Key SCPI commands
<b>Operating System</b>	Microsoft Windows
<b>Hard drive</b>	160 GB (min) SATA HD / removable
<b>CPU/ Memory</b>	Embedded Intel processor / 2G RAM (min)
<b>Power Supply</b>	120-240 VAC, 50-60 Hz, 3-6 A, 350 W / 12V & 50 W / 5 V, redundant power supplies
<b>Fuse</b>	Accessible/replaceable on the rear
<b>Cooling / Venting</b>	As needed within each module



5230

**Features**

<b>Input/Output Configuration</b>	4x48 Non-Blocking Full Fan-Out 48x4 Non-Blocking Full Fan-In 8x2 Electromechanical Matrix <sup>(1)</sup>
<b>Operating Frequency</b>	950-2050 MHz (L-band)
<b>Manual Control</b>	LCD Touch Screen
<b>Remote Control</b>	2x Ethernet ports, SNMP
<b>Impedance</b>	50-Ohm

**Part Number**

5230

<sup>(1)</sup> not discussed on this data sheet

**Application**

The L-band non-blocking fan-out/fan-in solid state switch model is a compact 4x48 and 48x4 switch matrix solution integrated with a modular approach using (7) sub-modules:

- 3x 16x4 Fan-in modules (1U ea.)
- 1x Controller module (3U)
- 3x 4x16 Fan-out modules (1U ea.)

The system is fully controlled through the Controller module, which is equipped with a MS Windows based PC and two removable and replaceable power supplies cartridges. Locally it can be controlled from an LCD touch screen and remotely via Ethernet with SNMP v1 protocol.

On the rear panel, the fan-in and the fan-out modules are interconnected using RJ11 CAN bus connectors to create a full 4x48 and 48x4 matrix. (The 8x2 switch resides inside the control module)

**RF Characteristics (4x48 & 48x4)**

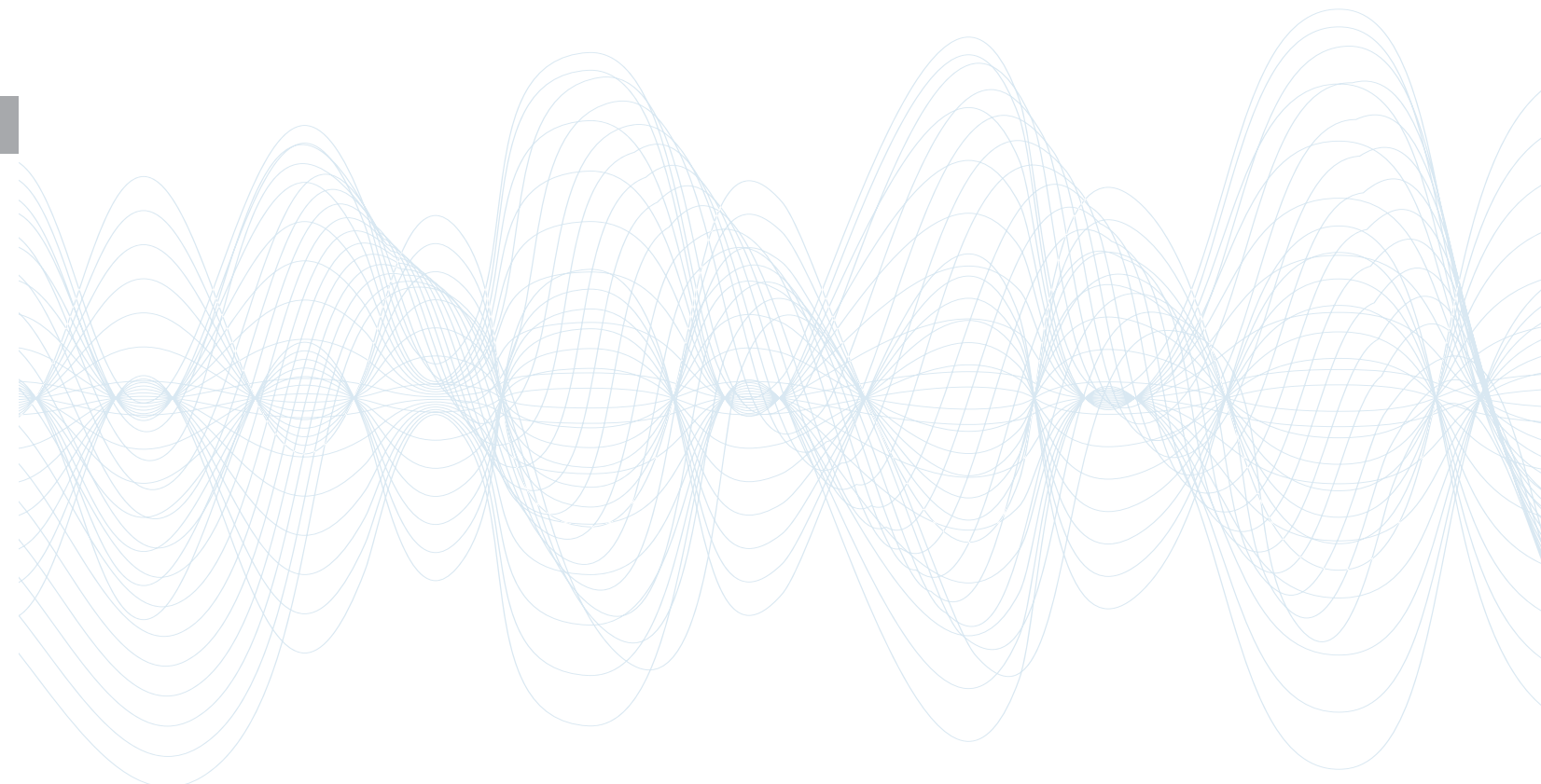
<b>VSWR (max)</b>	1.8:1 input & output
<b>Isolation (min)</b>	60 dB input/input
	60 dB input/output
	60 dB output/output (different input)
<b>fan-in only</b>	60 dB output/output (common input)
<b>fan-out only</b>	40 dB output/output (common input)
<b>Gain</b>	+2 dB ± 2 dB
<b>Power, Operating (max)</b>	+3 dBm routed to 1 output (fan-in)
	+14 dBm routed to 1 output (fan-out)
<b>1dB Compression (min)</b>	1 dBm (fan-in)
	8 dBm (fan-out)
<b>3rd Order Intercept (min)</b>	+17 dBm (fan-in), -9 dBm input power
	+24 dBm (fan-out), +6 dBm input power
<b>Noise Figure (max)</b>	20 dB (fan-in)
	18 dB (fan-out)

**Specifications**

<b>Relay Type</b>	Solid State
<b>Other Components</b>	Amplifiers, Power Dividers & Power Combiners
<b>I/O Connector Type</b>	SMA female
<b>Dimensions (max)</b>	19" Wide 21" Depth 9U Height (15.75")
<b>Operating Temperature</b>	0 °C to +40 °C
<b>Storage Temperature</b>	-40 °C to +40 °C
<b>Operating Humidity</b>	10-80% non-condensing

<b>Local Control</b>	6.5" LCD Touch Screen GUI USB port for keyboard or mouse
<b>Remote Control</b>	Ethernet with SNMP v1 protocol 2x RJ-45 connectors available
<b>Operating System</b>	Microsoft Windows
<b>Hard drive</b>	160 GB (min) SATA HD / removable
<b>CPU/ Memory</b>	Embedded Intel processor / 2G RAM (min)
<b>Power Supply</b>	120-240 VAC, 50-60 Hz, 2x 300 W (max) 2x power module cartridges, Power ON/OFF switch with guard on the front panel
<b>Fuse</b>	Accessible/replaceable on the rear

**APPENDIX  
RF DATA & SCHEMATICS**



The Tables are to guide on how to determine the enclosure height for the MS-Series.

Depending on switch type, number of input & output ports and connector type, the number of switches that can be mounted on the rear panel or inside an enclosure varies.

**SMA, NON-TERMINATED (NT), TERMINATED (T), MOUNTED ON THE REAR PANEL, 1-8 SWITCHES**

	SPDT <sup>(1)</sup> /DPDT	SP3T	SP4T	SP6T	SP8T	SP10T	SP12T
1RU	5NT, 5T <sup>(1)</sup>	5NT	5NT	5NT	-	-	-
2RU	4NT, 4T <sup>(1)</sup>	4NT, 4T	4NT, 4T	4NT, 4T	4NT, 4T	4NT	4NT,4T
3RU	4NT, 4T <sup>(1)</sup>	-	-	-	-	-	-
4RU	8NT, 8T <sup>(1)</sup>	8NT, 8T	8NT, 8T	8NT, 8T	8NT, 8T	8NT	8NT, 8T

<sup>(1)</sup> For SPDT one port on the DPDT switch is externally terminated to 2W 50-ohm load.

**SMA, NON-TERMINATED (NT), TERMINATED (T), MOUNTED INSIDE THE MATRIX, 9-35 SWITCHES**

	DPDT	SP3T	SP4T	SP6T	SP8T	SP10T	SP12T
1RU	-	-	-	-	-	-	-
2RU	15NT	15NT, 15T	14NT, 14T	10NT, 10T	-	-	-
3RU	18NT	27NT, 27T	21NT, 21T	15NT, 15T	12NT,12T	9NT	-
4RU	24NT	35NT, 35T	28NT, 28T	20NT, 20T	16NT,16T	13NT	11NT, 11T

**N, NON-TERMINATED (NT), TERMINATED (T), MOUNTED INSIDE THE MATRIX, 2-16 SWITCHES**

	DPDT	SP3T	SP4T	SP6T	SP8T	SP10T	SP12T
1RU	-	-	-	-	-	-	-
2RU	8NT	-	-	3NT	2NT,2T	2NT	-
3RU	12NT	-	-	5NT, 5T	4NT, 4T	3NT	2NT, 2T
4RU	16NT	-	-	6NT, 6T	5NT, 5T	4NT	3NT, 3T

For TNC and BNC connectors contact Dow-Key.

**DC-18 GHZ TERMINATED SWITCHES WITH SMA-TYPE CONNECTORS**

THE RF PERFORMANCE VARIOUS SWITCH COMBINATIONS MOUNTED ON THE REAR

FOR ≤1x56 IS SLIGHTLY BETTER.

DC-18 GHz, Terminated, SMA				1x13 to 1x85
Frequency [GHz]	VSWR Max.	Isolation Min. [dB]	Insertion Loss Max. [dB]	CW Power Max. [W]
DC-4	1.4	80	1.0	90
4-8	1.8	80	1.5	60
8-12	2.0	80	2.0	45
12-18	2.6	80	3.0	35

SP10 & SP12T SWITCHES MOUNTED INSIDE THE ENCLOSURE

DC-18 GHz, Terminated, SMA				1x86 to 1x132
Frequency [GHz]	VSWR Max.	Isolation Min. [dB]	Insertion Loss Max. [dB]	CW Power Max. [W]
DC-4	1.4	80	3.0	90
4-8	1.8	80	4.5	60
8-12	2.0	80	5.5	45
12-18	2.6	80	7.5	35

**DC-18 GHZ SWITCHES WITH N-TYPE CONNECTORS**

SP10T MOUNTED INSIDE THE ENCLOSURE

DC-18 GHz, Non-Terminated, N				1x13 to 1x47
Frequency [GHz]	VSWR Max.	Isolation Min. [dB]	Insertion Loss Max. [dB]	CW Power Max. [W]
DC-4	1.4	80	2.0	90
4-8	1.6	80	3.0	60
8-12	1.8	80	4.0	45
12-18	2.2	80	5.5	35

SP8T & SP10T SWITCHES MOUNTED INSIDE THE ENCLOSURE

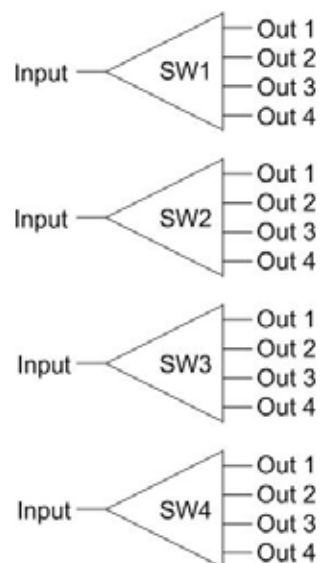
DC-18 GHz, Terminated, N				1x13 to 1x47
Frequency [GHz]	VSWR Max.	Isolation Min. [dB]	Insertion Loss Max. [dB]	CW Power Max. [W]
DC-4	1.4	80	2.5	90
4-8	1.6	80	4.0	60
8-12	1.8	80	5.0	45
12-18	2.1	80	6.5	35

We reserve the right to alter, amend or replace any specifications at our sole discretion and without prior notice.

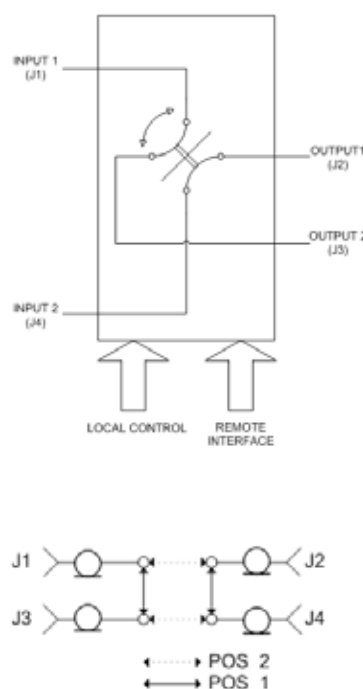
We reserve the right to alter, amend or replace any specifications at our sole discretion and without prior notice.

MS-SERIES: Example of Individual Switches

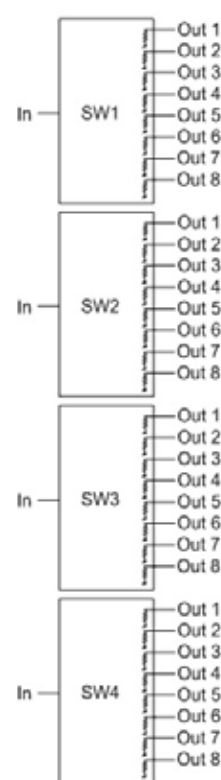
4x SP4T NON-TERMINATED SWITCH



1x DPDT SWITCH

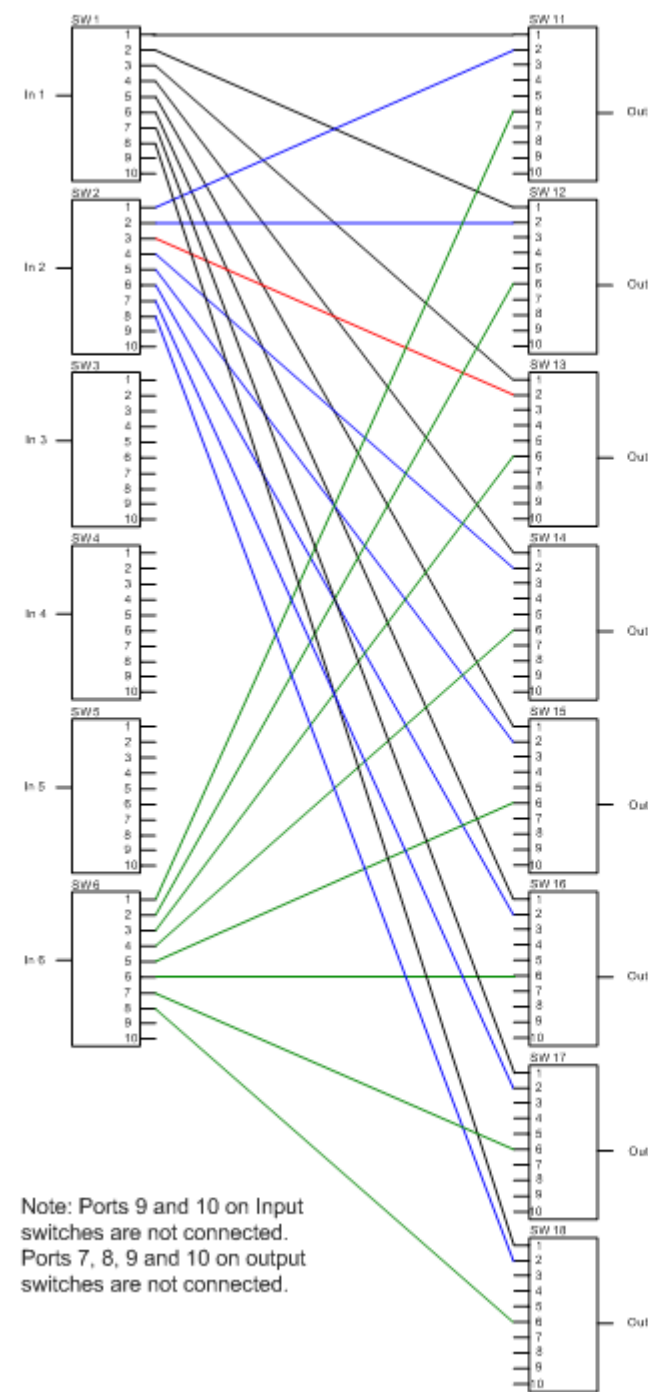


4x SP8T TERMINATED SWITCH



CB-SERIES: Example of Crossbar Switch Configurations

6X8 NON-TERMINATED SWITCH

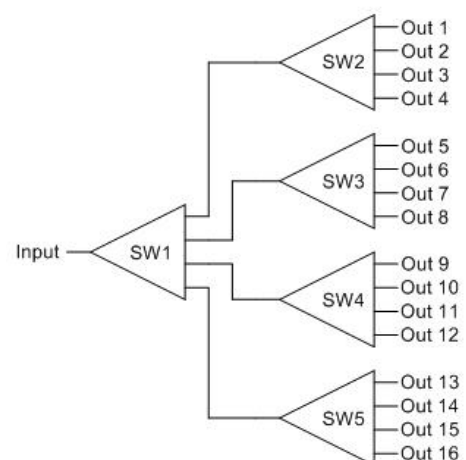


Connection example:  
To connect Input 2 to Output 3 close switch 2 to position 3 and switch 13 to position 2.

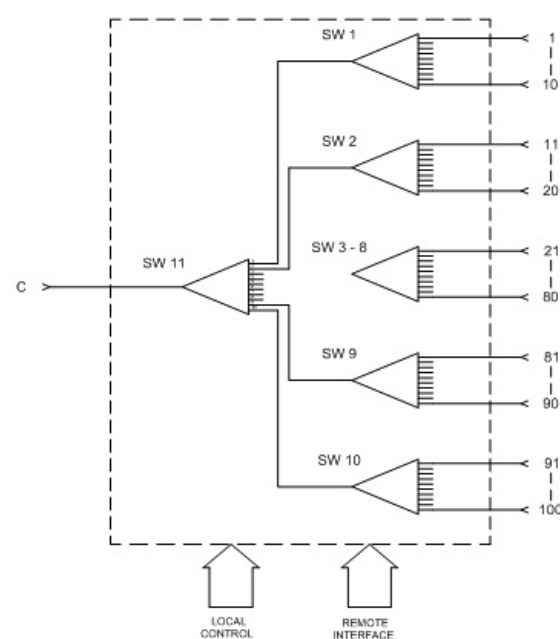
Note: Ports 9 and 10 on Input switches are not connected. Ports 7, 8, 9 and 10 on output switches are not connected.

MP-SERIES: Example of 1xN Switch Configurations

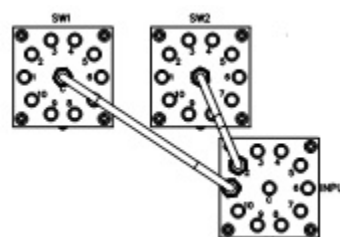
1x16 NON-TERMINATED SWITCH



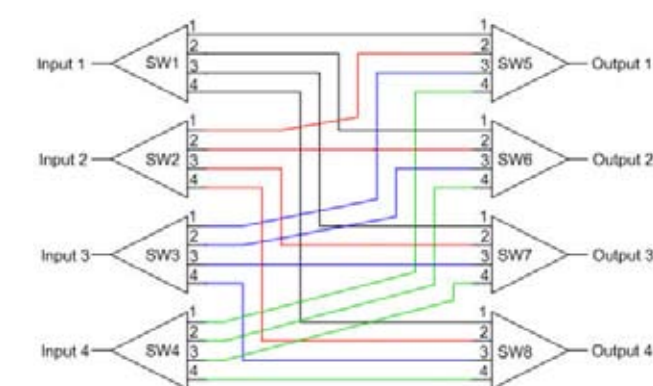
1x100 NON-TERMINATED SWITCH



1x20 NON-TERMINATED SWITCH MOUNTED ON THE REAR (OUTSIDE THE ENCLOSURE)



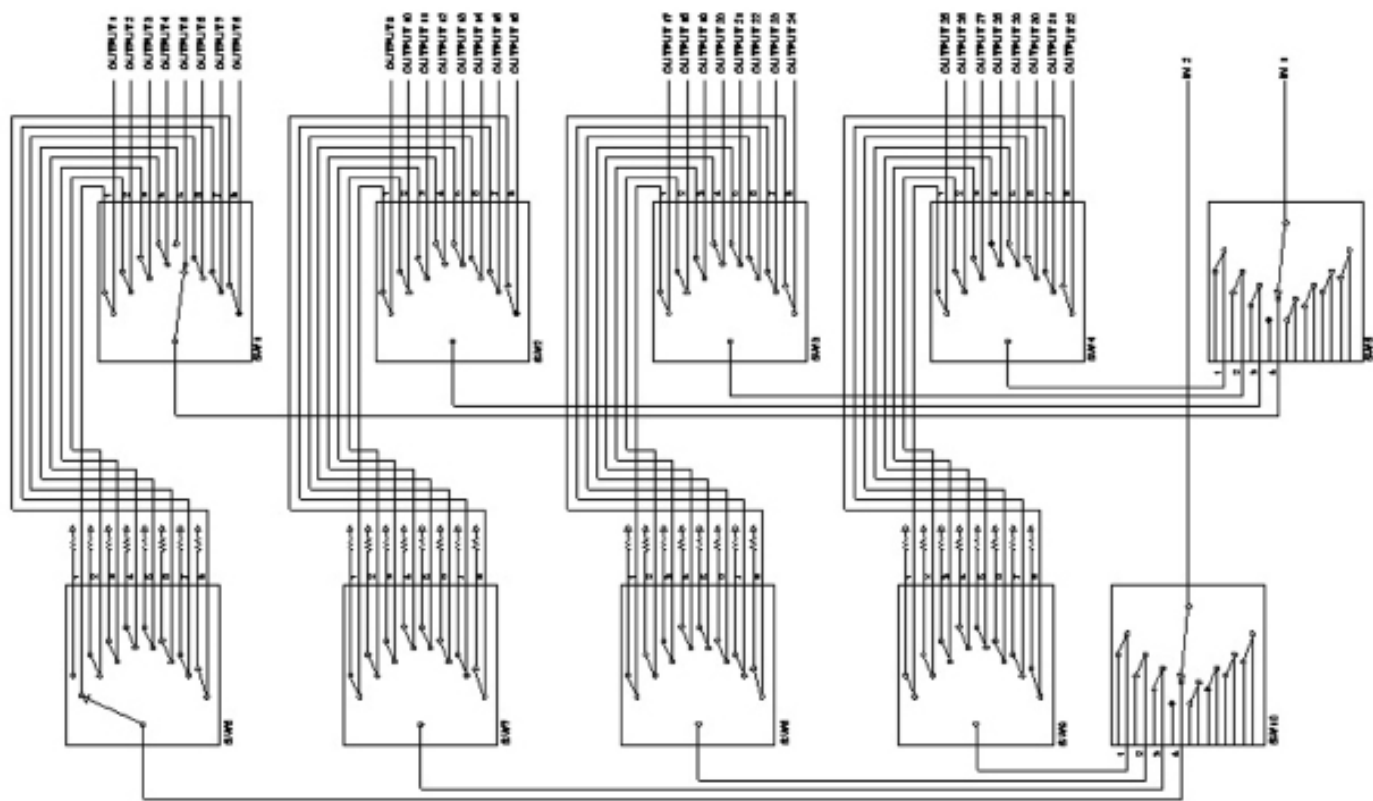
4X4 NON-TERMINATED SWITCH



We reserve the right to alter, amend or replace any specifications at our sole discretion and without prior notice.

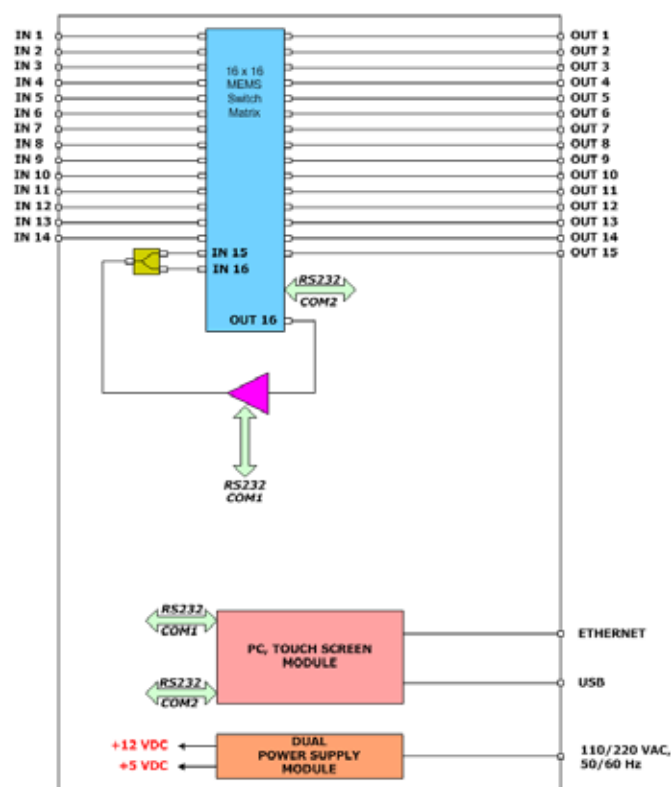
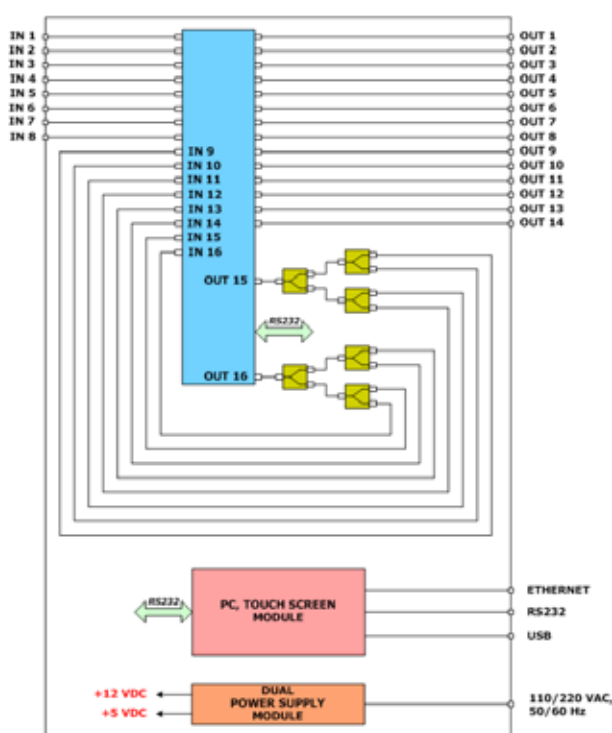
We reserve the right to alter, amend or replace any specifications at our sole discretion and without prior notice.

MODEL 4141: 2X32 Switch Configuration



7001 Switch Configuration

7002 Switch Configuration



We reserve the right to alter, amend or replace any specifications at our sole discretion and without prior notice.



Ceramic & Microwave Products (CMP) designs, manufactures and sells special electronic components and systems, including high-performance filters, switches, capacitors and EMI and cosite signal interference solutions. Our products are used in military, space, telecom infrastructure, medical and industrial applications where function and reliability are crucial.

[www.dovercmp.com](http://www.dovercmp.com)



**Dow-Key Microwave**  
4822 McGrath Street, Ventura, CA 93003 USA  
Tel +1.805.650.0260  
Fax +1.805.650.1734  
Email [askdk@dowkey.com](mailto:askdk@dowkey.com)



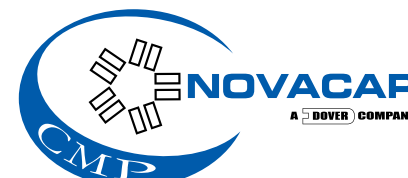
**Dielectric Laboratories, Inc.**  
2777 Route 20 East, Cazenovia, NY 13035 USA  
Tel +1.315.655.8710  
Fax +1.315.655.0445  
Email [sales@dilabs.com](mailto:sales@dilabs.com)



**BSC Filters Ltd.**  
Jorvik House, Outgang Lane, York, YO19 5UP, England  
Tel +44.1904.438438  
Fax +44.1904.438123  
Email [sales@bscfilters.com](mailto:sales@bscfilters.com)



**K&L Microwave**  
2250 Northwood Drive, Salisbury, MD 21801 USA  
Tel +1.410.749.2424  
Fax +1.443.260.2268  
Email [sales@klmicrowave.com](mailto:sales@klmicrowave.com)



**Novacap**  
25111 Anza Drive, Valencia, CA 91355 USA  
Tel +1.661.295.5920  
Fax +1.661.295.5928  
Email [info@novacap.com](mailto:info@novacap.com)



**Pole/Zero Corporation**  
5558 Union Centre Drive, West Chester, OH 45069 USA  
Tel +1.513.870.9060  
Fax +1.513.870.9064  
Email [support@polezero.com](mailto:support@polezero.com)



**Syfer Technology Ltd.**  
Old Stoke Road, Arminghall, Norwich, NR14 8SQ UK  
Tel +44.1603.723300  
Fax +44.1603.723301  
Email [sales@syfer.co.uk](mailto:sales@syfer.co.uk)



**Voltronics Corporation**  
100-10 Ford Road, Denville, NJ 07834 USA  
Tel +1.973.586.8585  
Fax +1.973.586.3404  
Email [info@voltronicscorp.com](mailto:info@voltronicscorp.com)



4822 McGrath Street | Ventura, CA 93003-5641  
Tel 805.650.0260 | Fax 805.650.1734 | [www.dowkey.com](http://www.dowkey.com)